



Our **company**

Eko-Okna S.A. is a globally operating Polish manufacturer of PVC, wood, aluminium and steel joinery. Windows and doors form the core of its continually expanding product range, complemented by sliding systems, window covers, sectional doors, property fences, mosquito nets and pergolas.

Eko-Okna is known for its ability to provide solutions tailored to particular markets and to meet all extraordinary expectations of individual customers. Its products reach nearly 40 export markets, including the EU, the USA, Australia and Africa.

A key asset of Eko-Okna is its transport fleet: lorries equipped with forklifts allow goods to be promptly unloaded at the customer's site. The export of products to the USA is carried out using regularly dispatched containers.

Eko-Okna partners can rely on comprehensive sales support from multilingual sales consultants and gain access to continuously developed online solutions - the eko4u sales tool and the benefit4u educational platform.



EXTERNAL ROLLER SHUTTERS

External roller shutters are an ideal solution for any building. Functional and aesthetic, they blend perfectly with any architectural style. They protect against excessive heat and light, and also increase the durability of windows. They guarantee privacy and deter intruders, making the home a comfortable and safe place.



Adaptive roller shutters

Adaptive roller shutters, also known as surface-mounted or facade-mounted shutters, are a desirable addition to any window today, providing users not only with privacy but also with control over the amount of light entering the room. Moreover, they enhance the appearance of the facade and extend the lifespan of windows.





SK45



SK90



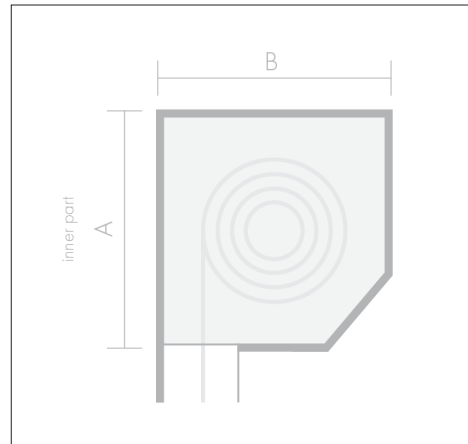
SKP



SKO-P

Adaptive roller blind **SK45**

The SK45 roller shutter is the perfect solution for both new and existing buildings, regardless of the type of windows. It features a box cut at a 45-degree angle from the outside, giving the facade a sharp, geometric appearance. It can be installed directly on the facade or in the window frame recess.



- minimum width of the case (electric drives): 450 mm
- minimum width of the box (manual control): 400 mm
- maximum width of the box: 4500 mm
- available color range: RAL, ALUPROF
- has a universal design
- the box, guides and armor can be painted in any color from RAL palette
- mounting the roller shutter externally ensures no heat loss
- it allows for the installation of an integrated mosquito net
- available slats: PVC 37, PVC 52, PA 39, PA 43, PA 52
- available in the economical variant railing SK45

Maximum heights (window + box) in mm*

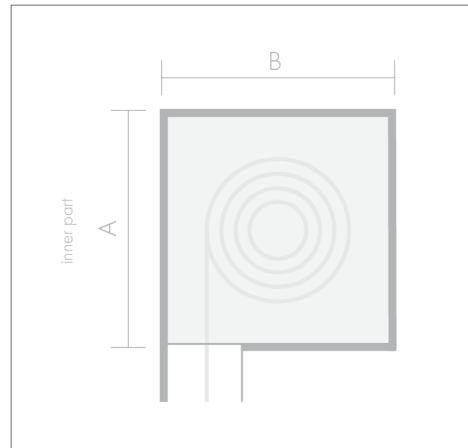
SK45					
Box	A	B	PA 39	PA 43	PA 52
137	140	140	1600	1410	900
165	168	168	2470	2500	1590
180	183	183	3060	3100	2060
205	208	208	4320	4150	2700

*The provided values are maximum overall heights of the roller shutter without integrated mosquito net, depending on factors such as the chosen control method.



Adaptive roller blind **SK90**

The unique design of the SK90 roller shutter brings a breath of fresh air to thinking about adaptive roller shutters. In addition to all the advantages of this type of product, the box can also be a flush-mounted box. Simply add a plaster carrier rail at any time.



- minimum width of the case (electric drives): 450 mm
- minimum width of the box (manual control): 400 mm
- maximum width of the box: 4500 mm
- available color range: RAL, ALUPROF
- has a universal design
- its box, guides and armor can be painted in any color from RAL palette
- mounting the roller shutter externally ensures no heat loss
- it allows for the installation of an integrated mosquito net
- mounting on any type of building
- it's worth supplementing it with plaster carrier rails to use a flush-mounted junction box
- available slats: PVC 37, PVC 52, PA 39, PA 43, PA 52

Maximum heights (window + box) in mm*

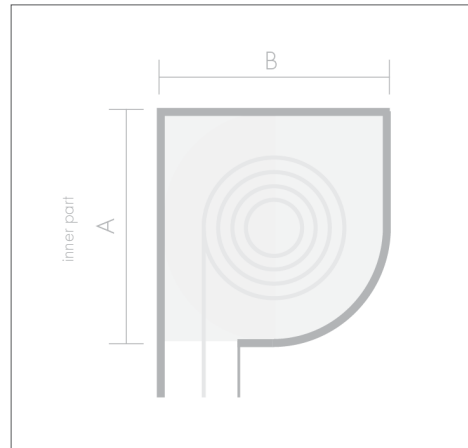
SK90					
Box	A	B	PA 39	PA 43	PA 52
137	140	140	1600	1410	900
165	168	168	2470	2500	1590
180	183	183	3060	3100	2060
205	208	208	4320	4150	2700

*The provided values are maximum overall heights of the roller shutter without integrated mosquito net, depending on factors such as the chosen control method.



Adaptive roller blind **SKP**

System with a semi-circular box shape, which will perfectly complement the window joinery of an older building. The properly chosen angle of the upper part of the box harmonizes perfectly with the window recess. It has the features of SK45 and SKO-P, but additionally distinguishes the house with a unique design. It can be mounted both on the facade and in the recess.



- minimum width of the case (electric drives): 450 mm
- minimum width of the box (manual control): 400 mm
- maximum width of the box: 4500 mm
- available color range: RAL, ALUPROF
- rounded revision, standing out from other models,
- the box, guides and armor can be painted in any color from RAL palette
- mounting the roller shutter externally ensures no heat loss
- possibility of integrated mosquito net installation
- mounting on any type of building
- available slats: PVC 37, PVC 52, PA 39, PA 43, PA 52

Maximum heights (window + box) in mm*

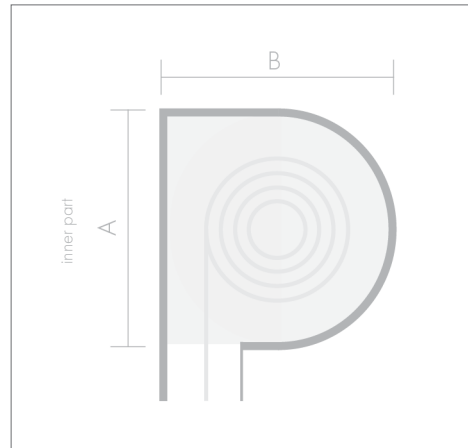
Box	SKP				
	A	B	PA 39	PA 43	PA 52
137	138	138	1600	1410	900
165	166	166	2470	2500	1590
180	181	181	3060	3100	2060
205	206	206	4320	4150	2700

*The provided values are maximum overall heights of the roller shutter without integrated mosquito net, depending on factors such as the chosen control method.



Adaptive roller blind **SKO-P**

In this system, the high-quality aluminium box is rounded, making it a decorative feature of the property. An extremely durable model.



- minimum width of the case (electric drives): 450 mm
- minimum width of the box (manual control): 400 mm
- maximum width of the box: 4500 mm
- available color range: RAL, ALUPROF
- it has a unique shape
- its casing, guides, and housing can be painted in any color from the RAL palette.
- mounting the roller shutter externally ensures no heat loss
- It allows for the installation of an integrated mosquito net
- available slats: PVC 37, PVC 52, PA 39, PA 43, PA 52

Maximum heights (window + box) in mm*

SKO-P					
Box	A	B	PA 39	PA 43	PA 52
137	141	144	1560	1410	850
165	168	172	2430	2500	1640
180	184	187	3260	2980	2060
205	206	212	4370	4020	2700

*The provided values are maximum overall heights of the roller shutter without integrate mosquito net, depending on factors such as the chosen control method.



Flush-mounted roller shutters

Flush-mounted roller shutters are an elegant, wall-integrated solution. Only the guides and the bottom part of the box are visible. They are entirely made of aluminum or a combination of aluminum and PVC, depending on the color or veneer chosen by the customer, and the selection of aesthetic options is impressive. They enhance window performance and prevent light and warmth from entering the house in an uncontrolled manner.





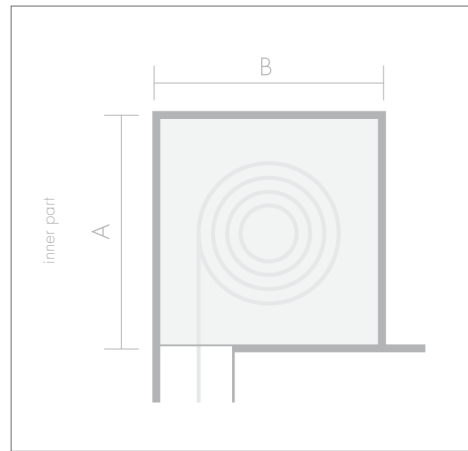
SP-E



Quadbox

Flush-mounted roller shutters **SP-E**

The greatest benefits of choosing the SP-E flush-mounted roller shutter are achieved by planning its installation during greenfield construction. It is designed in such a way that its installation does not interfere with the lintel or the structure of doors and windows, ensuring that the building's insulation performance remains unimpaired. In the case of existing buildings, modifications to the lintel area are required.



- minimum width of the case (electric drives): 450 mm
- minimum width of the box (manual control): 400 mm
- maximum width of the box: 4500 mm
- available color range: RAL, ALUPROF

- perfectly suited for new construction, including passive housing
- the box and guides can be painted or laminated
- standard render carrier rail length ranges from 15-105 mm
- does not require any alteration to the building or windows.
- it allows for the installation of an integrated mosquito net
- available slats: PVC 37, PVC 52, PA 39, PA 43, PA 52

Maximum heights (window + box) in mm*

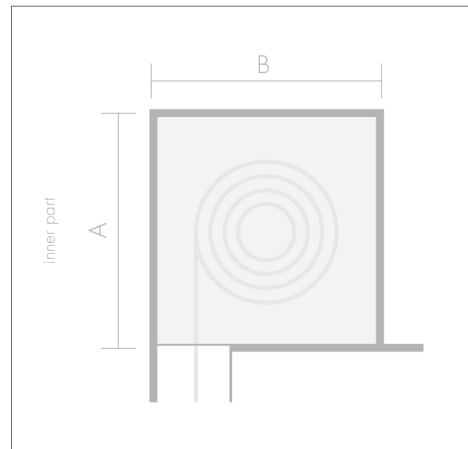
SP-E					
Box	A	B	PA 39	PA 43	PA 52
137	140	140	1600	1410	900
165	168	168	2470	2500	1590
180	183	183	3060	3100	2060
205	209	209	4320	4150	2700

*The provided values are maximum overall heights of the roller shutter without integrated mosquito net, depending on factors such as the chosen control method..



Flush-mounted roller shutters **QuadBox**

The QuadBox flush-mounted roller shutter, like all systems of this type, can be almost entirely concealed under a layer of plaster. Only the inspection flap remains visible, which in the QuadBox system can be made of aluminium or PVC. This allows for a better aesthetic match with the joinery, thanks to the option of powder-coating the aluminium in RAL colours or applying any of the foils available in our range to the PVC flap.



- minimum width of the case (electric drives): 450 mm
- minimum width of the box (manual control): 400 mm
- maximum width of the box: 4500 mm
- available color range: BeClever, RAL, AP* SAL*, GEA*, REH*
- *Only Quadbox with PVC revision

- ideal solution for new construction, including passive buildings.
- possibility of painting or veneering the box and guides
- option to choose PVC or aluminum revision.
- no heat loss, blinds installed independently of the interior
- it allows for the installation of an integrated mosquito net
- available slats: PVC 37, PVC 52, PA 39, PA 43, PA 52

Maximum heights (window + box) in mm*

Quadbox					
Box	A	B	PA 39	PA 43	PA 52
137	137	137	1600	1410	900
165	165	165	2470	2500	1590
180	180	180	3060	3100	2060
205	205	205	4320	4150	2700

*The provided values are maximum overall heights of the roller shutter without integrated mosquito net, depending on factors such as the chosen control method.



Top-mounted roller shutters

External roller shutters are one of the most popular choices during building finishing and renovation. They are appreciated for light control, excellent thermal insulation, and additional protection against break-ins. The noise caused by an intruder trying to force the shutter effectively alerts household members. Their installation does not require additional insulation, making them practical and efficient.





Expert XT



Elite XT



Exakt



Thermo Box



Opoterm



Cleverbox Si



Cleverbox Ri



Neo XT



Roka Top 2



Roka Top 2 EX



Roka Top 2 PLUS



Roka Top 2 RG



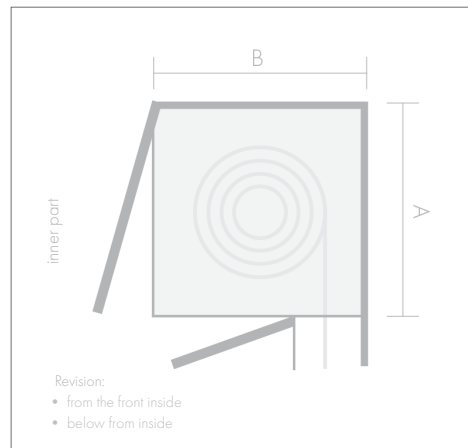
Styroterm



Roka Top 2 RG EX

Top-mounted roller shutter **Expert XT**

A versatile system distinguished by its simplicity of installation and operation. The installation is intuitive thanks to dedicated adapters available for various types of windows. Servicing has become quick due to easy-to-install drive brackets. The box can be additionally equipped with an integrated mosquito net, and larger structures - with steel reinforcement. All this is prepared for better protection of residents and stability of the structure. Expert XT comes in two shades of white, and less aesthetic elements can be concealed with covers.



- minimum box width (electric drives): 450 mm
- minimum width of the box (manual control): 400 mm
- maximum width of the box: 5500 mm
- max. frame depth for bottom access inspection: 85 mm*
- available color range: RAL, AP, SAL, GEA, REH

- its installation and maintenance are simple
- it is dedicated to PVC, aluminum, and wooden windows
- it can be plastered both externally and internally
- it allows for the installation of an integrated mosquito net
- available slats: PVC 37, PVC 52, PA 39, PA 43, PA 52

Maximum heights (window + box) in mm*

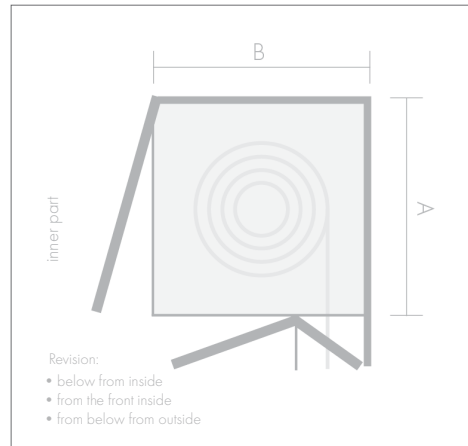
Expert XT					
Box	A	B	PA 39	PA 43	PA 52
165	165	220	1620	1500	1000
185	185	220	2250	2250	1500
220	220	255	3500	3750	2500

*The provided values are maximum overall heights of the roller shutter without integrated mosquito net, depending on factors such as the chosen control method.



Top-mounted roller shutter **Elite XT**

In this universal model, installation and maintenance are simple thanks to the use of drive brackets and frame adapters – dedicated ones for PVC or universal ones for aluminum and wood. In the Elite XT, individual components connect together like building blocks. A distinguishing feature of the system is the bottom-mounted external inspection, allowing for its use and plastering even on frames with above-average installation depths. The Elite XT is available in standard white and the even brighter Salamander white.



- minimum width of the case (electric drives): 450 mm
- minimum width of the box (manual control): 400 mm
- maximum width of the box: 5500 mm
- max. frame depth when bottom-hung: 85 mm*
*restriction applies to revisions below from inside.
- available color range: RAL, AP, SAL, GEA, REH

- allows for installation on windows with large frame depths thanks to the external inspection
- its installation and maintenance are simple
- it is dedicated to PVC, aluminum, and wooden windows
- It allows for the installation of an integrated mosquito net
- available slats: PVC 37, PVC 52, PA 39, PA 43, PA 52

Maximum heights (window + box) in mm*

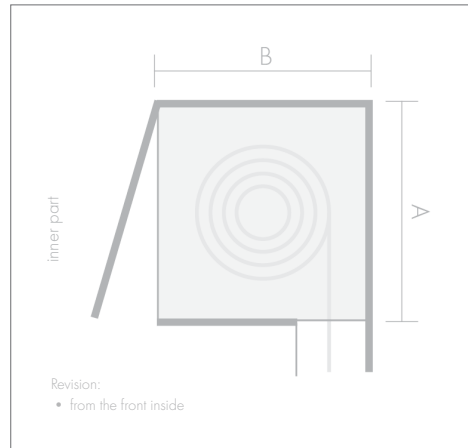
Elite XT					
Box	A	B	PA 39	PA 43	PA 52
175	175	220	1620	1500	1000
200	200	220	2250	2250	1500
240	255	255	3500	3750	2500

*The provided values are maximum overall heights of the roller shutter without integrated mosquito net, depending on factors such as the chosen control method.



Top-mounted roller shutter **Exakt**

The system has been on the market for many years and remains popular. It is characterized by its simple design and is chosen for its highly refined key features. Easy access to the roller mechanism facilitates maintenance. It is suitable for both PVC and aluminum systems.



- minimum width of the case (electric drives): 450 mm
- minimum width of the box (manual control): 400 mm
- maximum width of the box: 2500 mm
- available color range: RAL, AP, SAL, GEA, REH
- its installation and maintenance are simple
- it is dedicated to PVC, aluminum, and wooden windows
- it can be plastered externally and internally
- available slats: PVC 37, PA 39, PA 43

Maximum heights (window + box) in mm*

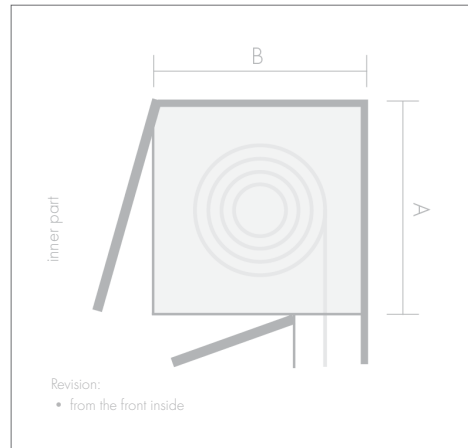
Exakt				
Box	A	B	PA 39	PA 43
155	155	180	1600	1600
180	180	205	2400	2400
220	220	245	3500	3500

*The provided values are maximum overall heights of the roller shutter without integrated mosquito net, depending on factors such as the chosen control method.



Top-mounted roller shutter **Thermo Box**

The Thermo Box top-mounted roller shutter system provides excellent protection against excessive sunlight and prying eyes. Its standout feature is its very high thermal insulation, achieved through the extensive insulation of the box. The Thermo Box shutter can even act as an additional barrier against heat loss, thanks to the air cushion created between the shutter curtain and the window. Furthermore, the universal adapter is a noteworthy feature a solution that facilitates the installation of the system on all the most popular windows on the market.



- minimum width of the case (electric drives): 450 mm
- minimum width of the box (manual control): 400 mm
- maximum width of the box: 5500 mm
- available color range: RAL, AP, SAL, GEA, REH
- can be plastered from both the inside and outside
- features replaceable, high-durability guides
- allows for the installation of an integrated insect screen
- available slats: PVC 37, PA 39, PA 43, PA 52

Maximum heights (window + box) in mm*

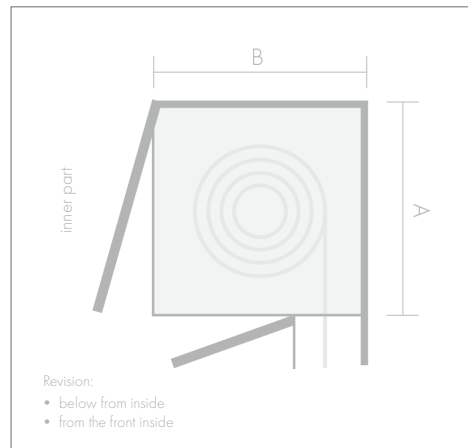
Thermo Box					
Box	A	B	PA 39	PA 43	PA 52
165	165	255	2000	1800	1270
205	205	255	3250	3250	2150
245	245	255	4250	4350	2950

*The provided values are maximum overall heights of the roller shutter without integrated mosquito net, depending on factors such as the chosen control method.



Top-mounted roller shutter **Cleverbox Si**

The roller shutter has been designed with the aim of reducing household and business maintenance costs. It possesses all the advantages of superimposed systems, and additionally, it can be equipped with Neopor, which is expanded polystyrene providing better thermal and acoustic insulation parameters. The steel reinforcement allows for the roller shutter to be used even on structures with large surfaces without concerns about stability, while side caps discreetly mask unattractive elements.



- minimum width of the case (electric drives): 450 mm
- minimum width of the box (manual control): 400 mm
- maximum width of the box: 5500 mm
- max. frame depth for bottom access inspection: 98 mm
- available color range: RAL, AP, SAL, GEA, REH

- it is dedicated to PVC and aluminum windows
- side caps are available for purchase,
- It allows for the installation of an integrated mosquito net
- It can be plastered externally and internally
- the variant with Neopor provides better thermal and acoustic insulation.
- available slats: PVC 37, PA 39, PA 43

Maximum heights (window + box) in mm*

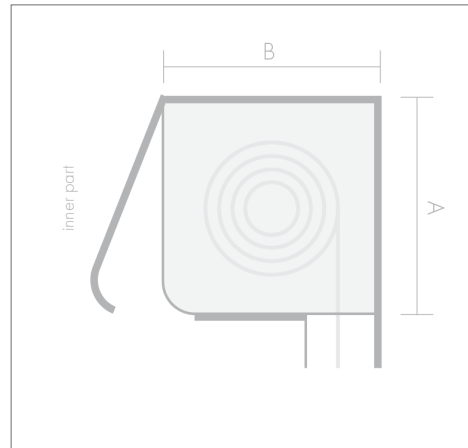
Cleverbox Si				
Box	A	B	PA 39	PA 43
165	165	255	2000	2000
205	205	255	3250	3250
245	245	255	4250	4500

*The provided values are maximum overall heights of the roller shutter without integrated mosquito net, depending on factors such as the chosen control method.



Top-mounted roller shutter **Cleverbox Ri**

The roller shutter has all the advantages of the Cleverbox model, differing in design. The rounded inspection looks particularly good in a French landscape. Great for PVC and aluminum windows.



- minimum box width (electric drives): 450 mm
- minimum width of the box (manual control): 400 mm
- maximum width of the box: 5500 mm
- available color range: RAL, AP, SAL, GEA, REH

- It has a unique shape of the casing from the inside
- It has simple installation and servicing and is dedicated to PVC and aluminum windows
- It allows for the installation of an integrated mosquito net
- optional side covers
- max. frame depth for bottom access inspection: 98 mm
- available slats: PVC 37, PA 39, PA 43

Maximum heights (window + box) in mm*

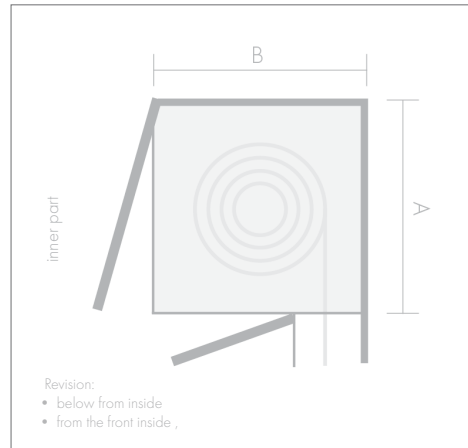
Cleverbox Ri				
Box	A	B	PA 39	PA 43
165	165	175	1250	1500
205	205	215	2500	2750

*The provided values are maximum overall heights of the roller shutter without integrated mosquito net, depending on factors such as the chosen control method.



Top-mounted roller shutter **Opoterm**

It features proven solutions that enable easy installation and maintenance. Its distinguishing characteristic is its sophisticated appearance, achieved through additional masking elements. These include caps covering the screws from the inside and a rounded internal plate. The roller shutter can be installed without compromising the structural integrity of large windows. The Opoterm is available in the RENO version, which is dedicated to older buildings with renovation fin frames.



- minimum width of the case (electric drives): 450 mm
- minimum width of the box (manual control): 400 mm
- maximum width of the box: 5500 mm
- max. frame depth for bottom access inspection: 100 mm
- available color range: RAL, AP, SAL, GEA, REH

- it is dedicated to PVC and aluminum windows
- it allows for the installation of an integrated mosquito net
- it can be plastered externally and internally
- side caps are available for purchase
- there is an option for a rounded internal front plate
- the RENO version is ideal for renovated PVC windows
- available slats: PVC 37, PVC 52, PA 39, PA 43, PA 52

Maximum heights (window + box) in mm*

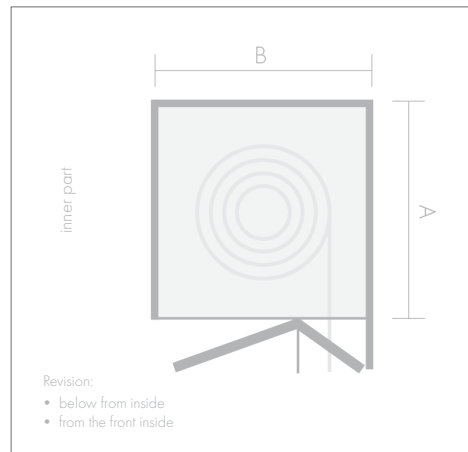
Opoterm					
Box	A	B	PA 39	PA 43	PA 52
175	170	230	1890	1770	1170
210	210	230	3310	3250	2280
240	240	255	4770	3680	3230

*The provided values are maximum overall heights of the roller shutter without integrated mosquito net, depending on factors such as the chosen control method.



Top-mounted roller shutter **Neo XT**

The roller shutter is perfect for energy-efficient investments, providing excellent protection for residents against excessive heat and noise. Dedicated entirely to finished buildings, it is easy to install and comfortable to service thanks to many well-thought-out solutions. The interior features proven elements known from Elite XT and Expert XT, and its casing has improved insulation parameters.



- minimum width of the case (electric drives): 450 mm
 - minimum width of the box (manual control): 400 mm
 - maximum width of the box: 5500 mm
 - max. frame depth when bottom-hung: 85 mm*
- *the limitation applies to bottom access inspection from the inside.

Maximum heights (window + box) in mm*

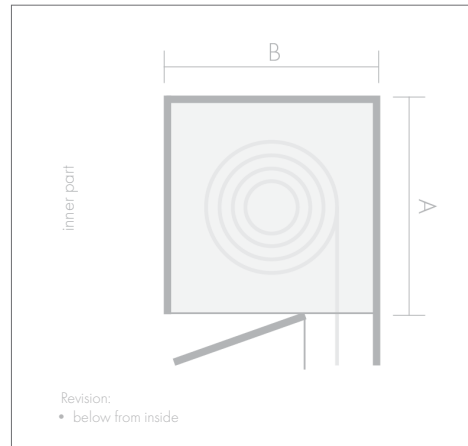
Neo XT					
Box	A	B	PA 39	PA 43	PA 52
260	260	270/300/365	3800	4200	2700
290	290	270/300/365			

*The provided values are maximum overall heights of the roller shutter without integrated mosquito net, depending on factors such as the chosen control method.

- it has simple installation
- it is dedicated to PVC, aluminum, and wooden windows
- it has a durable construction,
- it allows for the installation of an integrated mosquito net
- it is characterized by very good thermal and acoustic insulation.
- available slats: PVC 37, PVC 52, PA 39, PA 43, PA 52
- the box is available in a version for cladding with clinker

Top-mounted roller shutter **Roka-Top 2**

Roka-Top 2 offers a combination of the advantages of lintel and superimposed systems. The polystyrene casings, provided by a pioneer supplier, guarantee time savings during installation, as the components are pre-assembled at the production stage. The roller shutter is an excellent choice for new construction, providing very good acoustic and thermal insulation. With its reinforced casing construction, it is extremely durable, even when it has a large size. It's a long-term solution.



- minimum width of the case (electric drives): 450 mm
- minimum width of the box (manual control): 400 mm
- maximum width of the box: 5500 mm
- max. frame depth: 92 mm
- it is dedicated to PVC
- it has a reinforced casing construction
- it has very good thermal and acoustic insulation parameters
- available slats: PVC 37, PVC 52, PA 39, PA 43, PA 52
- its casing is available in three construction variants

Maximum heights (window + box) in mm*

Roka Top 2					
Box	A	B	PA 39	PA 43	PA 52
250	250	280/300/345/365	3250	3500	2800
300	300	280/300/345/365	4500	4250	3300

*The provided values are maximum overall heights of the roller shutter without integrated mosquito net, depending on factors such as the chosen control method.

available construction variants:



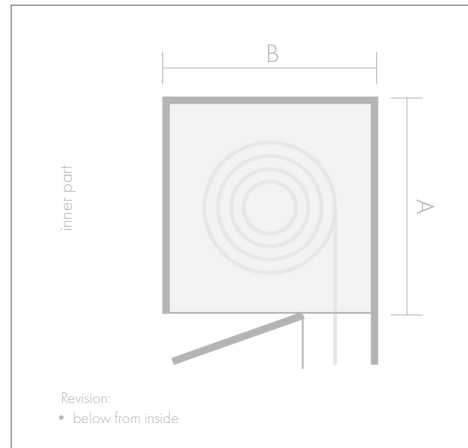
Monolithic plaster

WDVS

Clinker

Top-mounted roller shutter **Roka-Top 2 EX**

Another level of excellence among roller shutters. A model above Roka-Top 2, differing in installation method and the possibility of inserting a mosquito net.



Maximum heights (window + box) in mm*

Roka Top 2 EX					
Box	A	B	PA 39	PA 43	PA 52
250	250	280/300/345/365	3250	3500	2800
300	300	280/300/345/365	4500	4250	3300

*The provided values are maximum overall heights of the roller shutter without integrated mosquito net, depending on factors such as the chosen control method.

- minimum width of the case (electric drives): 450 mm
- minimum width of the box (manual control): 400 mm
- maximum width of the box: 5500 mm
- max. frame depth: 92 mm
- it is dedicated to PVC, aluminum, and wooden windows
- it is characterized by easy installation
- it allows for the installation of an integrated mosquito net
- it has a reinforced casing construction
- available slats: PVC 37, PVC 52, PA 39, PA 43, PA 52

available construction variants:



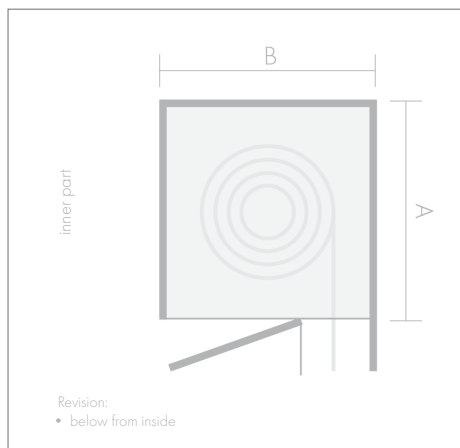
Monolithic plaster

WDVS

Clinker

Top-mounted roller shutter **Roka-Top 2 PLUS**

It has the best features of Roka-Top 2, and thanks to the inspection flap without chambers, it allows for excellent thermal and acoustic insulation. Extremely durable and robust, as the system is mounted directly onto the frame.



- minimum width of the case (electric drives): 450 mm
- minimum width of the box (manual control): 400 mm
- maximum width of the box: 5500 mm
- max. frame depth: 92 mm
- it is dedicated to PVC
- it has a reinforced casing construction,
- it has very good thermal and acoustic insulation parameters
- installation takes place without additional profiles between the frame and the casing
- available slats: PVC 37, PVC 52, PA 39, PA 43, PA 52
- its casing is available in three construction variants

Maximum heights (window + box) in mm*

Roka Top 2 PLUS					
Box	A	B	PA 39	PA 43	PA 52
250	250	280/300/345/365	3250	3500	2800
300	300	280/300/345/365	4500	4250	3300

*The provided values are maximum overall heights of the roller shutter without integrated mosquito net, depending on factors such as the chosen control method.

available construction variants:



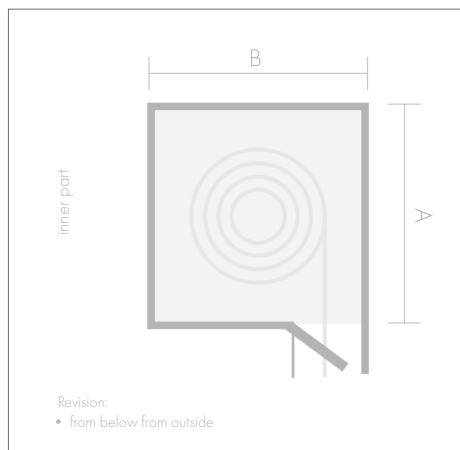
Monolithic plaster

WDVS

Clinker

Top-mounted roller shutter **Roka-Top 2 RG**

Roller shutter for passive construction due to a durable construction that eliminates thermal bridges. An optimal combination of superimposed and built-in roller shutters. Ideal for PVC and aluminum windows. The inspection flap is located on the outside, allowing the product to be installed on any window.



- minimum width of the case (electric drives): 450 mm
- minimum width of the box (manual control): 400 mm
- maximum width of the box: 5500 mm.

- it is dedicated to PVC, aluminum
- it has very good thermal and acoustic insulation parameters,
- its casing is available in multiple variants
- its casing is completely invisible from the inside after plastering.
- available slats: PVC 37, PVC 52, PA 39, PA 43, PA 52

Maximum heights (window + box) in mm*

Roka Top 2 RG					
Box	A	B	PA 39	PA 43	PA 52
250	250	280/300/345/365	3250	3500	2800
300	300	280/300/345/365	4500	4250	3300

*The provided values are maximum overall heights of the roller shutter without integrated mosquito net, depending on factors such as the chosen control method.

available construction variants:



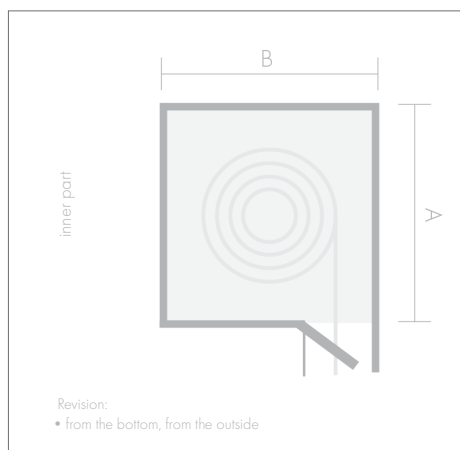
Monolithic plaster

WDVS

Clinker

Top-mounted roller shutter **Roka-Top 2 RG EX**

An improved solution of the Roka-Top 2 RG system. The new feature is the exceptionally easy installation, made possible by the use of profiles utilized in PVC roller shutters. This reduces installation time and expands compatibility with various window systems.



- minimum width of the case (electric drives): 450 mm
- minimum width of the box (manual control): 400 mm
- maximum width of the box: 5500 mm
- it is dedicated to PVC, aluminum, and wooden windows,
- it has a reinforced casing construction
- it has very good thermal and acoustic insulation parameters
- it is characterized by easy installation
- available slats: PVC 37, PVC 52, PA 39, PA 43, PA 52
- its casing is available in three construction variants

Maximum heights (window + box) in mm*

Roka Top 2 RG EX					
Box	A	B	PA 39	PA 43	PA 52
250	250	280/300/345/365	3250	3500	2800
300	300	280/300/345/365	4500	4250	3300

*The provided values are maximum overall heights of the roller shutter without integrated mosquito net, depending on factors such as the chosen control method.

available construction variants:



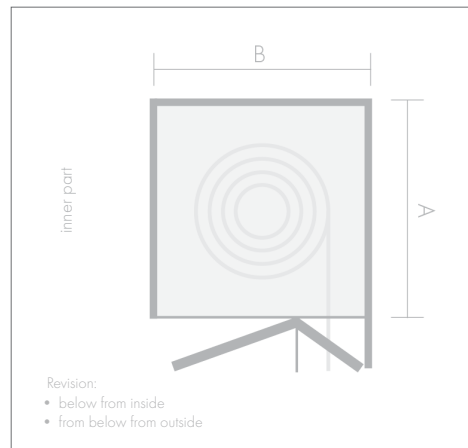
Monolithic plaster

WDVS

Clinker

Top-mounted roller shutter **Styroterm**

Superimposed casing for projects before plastering. It ensures user comfort and provides good thermal and acoustic insulation. The casing with a bottom access inspection, mounted externally, is completely invisible from the inside.



- minimum width of the case (electric drives): 450 mm
- minimum width of the box (manual control): 400 mm
- maximum width of the box: 3000 mm
- max. frame depth for bottom access inspection: 100 mm*
- *the limitation applies to bottom access inspection from the inside
- available color range: RAL, AP, SAL, GEA, REH

- ideal for PVC and aluminum windows
- it has very good thermal and acoustic insulation parameters
- easy to install
- it allows for the installation of an integrated mosquito net
- available slats: PVC 37, PVC 52, PA 39, PA 43, PA 52

Maximum heights (window + box) in mm*

SKB Styroterm					
Box	A	B	PA 39	PA 43	PA 52
260	260	264	2930	2670	1740
300	300	311	4710	4700	2910

*The provided values are maximum overall heights of the roller shutter without integrated mosquito net, depending on factors such as the chosen control method.



Lintel box **filling**

The client has complete flexibility in choosing by being able to purchase just the components for the roller shutter boxes already installed in their home. They decide which features and design they need. High-level savings and customization.



SDZ

This product is a solution for homeowners with lintel roller shutters who need to replace the shutter itself. The installation process is quick and efficient. It can be operated manually with a strap and winder, with a crank mechanism, or electrically. The product is often used in renovation projects in France and Italy.

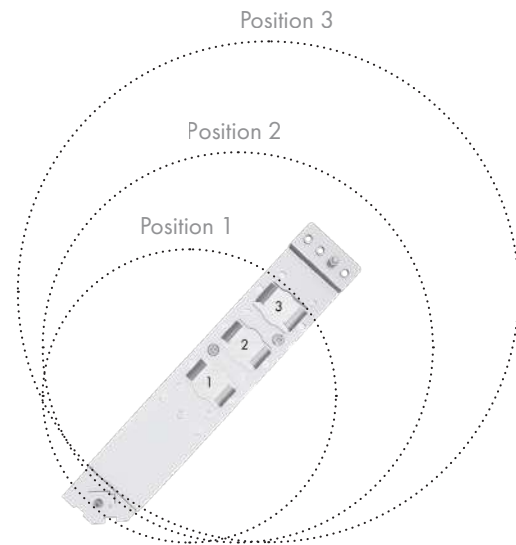


SKN

The shutter curtain, together with components for self-assembly, is designed for use in renovation projects where a lintel box already exists, but other roller shutter elements are missing. Using the SKN system allows for the convenient adaptation of such a box, eliminating the need for masonry work to install a new unit.

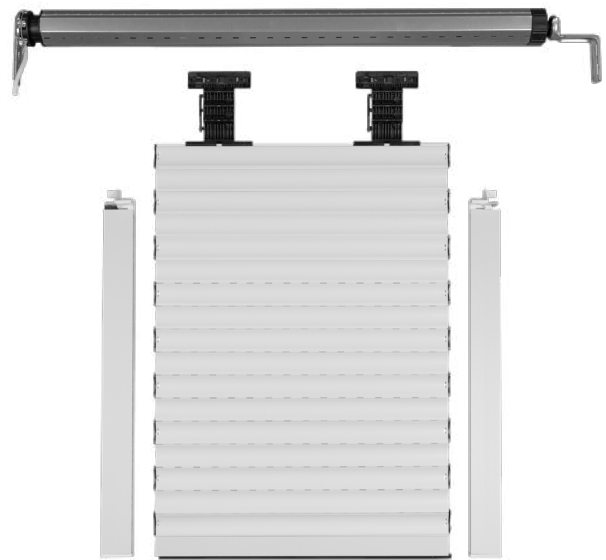


SDZ



SDZ	
Winding tube position	Diameter of armour winding
Position 1	≤ 165
Position 2	≤ 225
Position 3	≤ 270

SKN



Anti-burglary roller shutters

Anti-burglary exterior shutters guarantee security. Special reinforcements in the armor and guides provide RC2 or RC3 protection class, effectively deterring burglars and allowing homeowners to sleep peacefully.



The only certified anti-burglary system - with RC2 class for the PE41 curtain and RC3 class for the PE55 curtain. The system is designed for adaptive boxes in any shape, as well as for SP-E built-in boxes. Thanks to the latch system in the guides and the reinforced guides, manual break-in attempts are significantly hindered. Additionally, the high and heavy PE55 profile in the RC3 variant is resistant to any attempt at breaching it. Importantly, due to the locking mechanisms and the weight of the curtain, anti-burglary shutters can only be operated with electric drives.

- patented latch system in the guides and bottom rail
- extruded curtain profile
- specially designed reinforced guides
- burglary resistance class RC2 or RC3,
- minimum box width (electric drives): 600 mm
- available color range: RAL, ALUPROF

Maximum heights (window + box) in mm*

anti-burglary SAR		
Profile	PE41 (RC2)	PE55 (RC3)
max. width	2600 mm	2800 mm
max. height	2790 mm	1800 mm / 4480 mm*
max. area	7,25 m ²	4,3 m ² / 9,6 m ² *

*applies to SK45 enclosure, 300 mm





Armos

Fitted to the window, the armor allows for thermal insulation of the room and enhances the appearance of the roller blind.

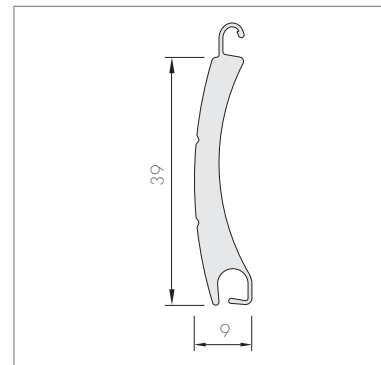
PA - disponibili nella gamma colori ALUPROF e RAL

Aluminum armors feature a sleek, universal design and are resistant to abrasion and discoloration. They are lightweight and environmentally friendly. The **PA 43** model allows for taller constructions, while the **PA 52** model is suitable for very wide spans.

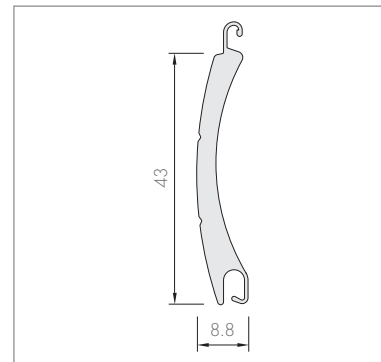
PA:

This stands for Aluminum Profile filled with polyurethane foam, the most commonly used and most optimal armor, used in shutters.

PA 39	
Weight per 1m ² (kg)	2,8
Profile thickness (mm)	9
Number of slats per 1 m height (pcs)	25,6
Maximum product surface area (m ²)	6
Profile height (mm)	39



PA 43	
Weight per 1m ² (kg)	2,6
Profile thickness (mm)	8,8
Number of slats per 1 m height (pcs)	23,2
Maximum product surface area (m ²)	9*
Profile height (mm)	43



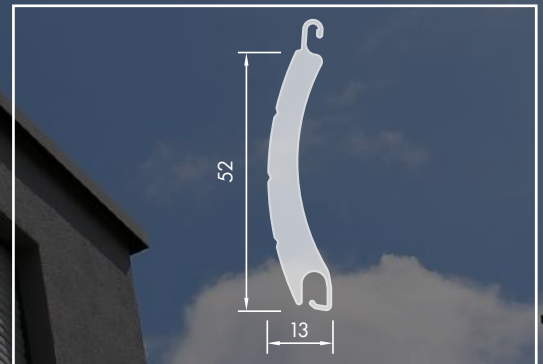
*The system provider's recommended stability of the armour is obtained for an area of up to 7 m².

Above this value, a slight rippling of the shutter can occur.

- However, this does not affect the functionality and the roller shutter fulfils all the criteria set by the standard.

PA 52

Weight per 1 m ² (kg)	3
Profile thickness (mm)	13
Number of slats per 1 m height (pcs)	19
Maximum product surface area (m ²)	8
Profile height (mm)	52

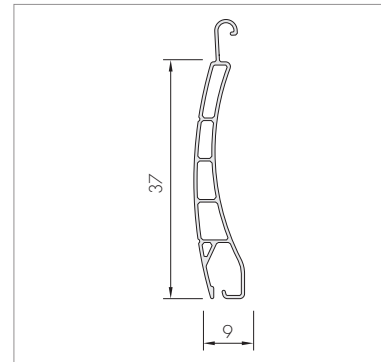


PVC – available in ALUPROF colour palette

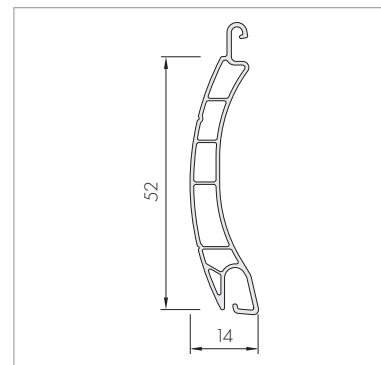
Quiet, weather-resistant, and easy-to-clean curtains are popular on the German market. PVC 37 fits windows up to 1.6 meters wide, while PVC 52 fits windows up to 3 meters wide.

So, a armor made of plastic, available in three colors from the Aluprof palette: Ultra White, Grey, Beige, without the possibility of painting.

PVC 37	
Weight per 1 m ² (kg)	3,5
Profile thickness (mm)	8
Number of slats per 1 m height (pcs)	27
Maximum product surface area (m ²)	3
Profile height (mm)	37



PVC 52	
Weight per 1 m ² (kg)	4
Profile thickness (mm)	14
Number of slats per 1 m height (pcs)	19
Maximum product surface area (m ²)	4,3
Profile height (mm)	52

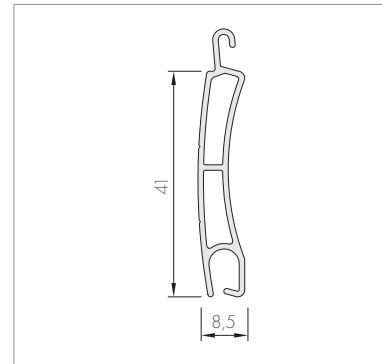


PE – available in ALUPROF and RAL colour palette

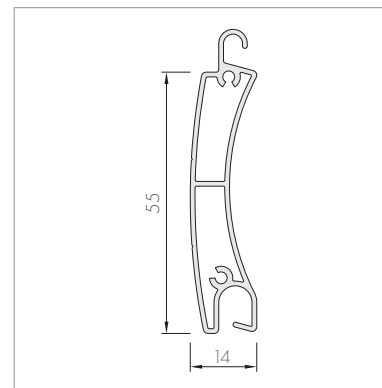
For anti-burglary shutters, curtains made of extruded aluminum will be indispensable. They are durable, robust, and can be used with electric drives. Eko-Okien models are powder-coated, ensuring that the color does not fade and the paint does not chip.

PE: This stands for Extruded Curtains, used in the adaptive and built-in SAR anti-burglary shutter system, with an RC2 burglary resistance certificate for the PE41 profile and RC3 for PE55. Curtains are available in several Aluprof colors and can be painted to any color from the RAL Palette.

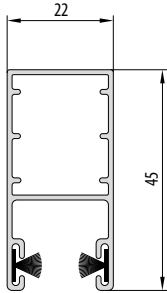
PE 41	
Weight per 1 m ² (kg)	7,4
Profile thickness (mm)	8,5
Number of slats per 1 m height (pcs)	24
Maximum product surface area (m ²)	8,5
Profile height (mm)	41



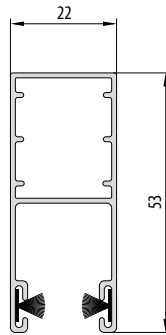
PE 55	
Weight per 1 m ² (kg)	8,7
Profile thickness (mm)	14
Number of slats per 1 m height (pcs)	18
Maximum product surface area (m ²)	15
Profile height (mm)	55



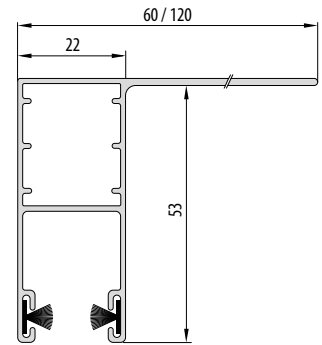
Roller shutter guide cross-sections adaptive and flush-mounted



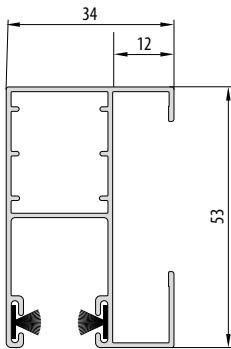
- PP45
- SK45 • SK90 • SKP • SKO-P • Railing SK45
- SP-E • QuadBox



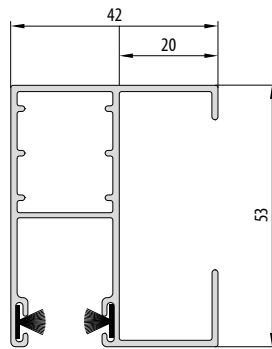
- PP53
- SK45 • SK90 • SKP • SKO-P • Railing SK45
- SP-E • QuadBox



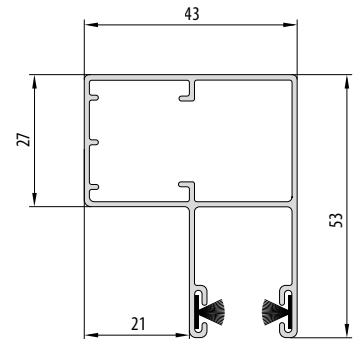
- PK53 / PK53 120
- SK45 • SK90 • SKP • SKO-P • Railing SK45
- SP-E • QuadBox



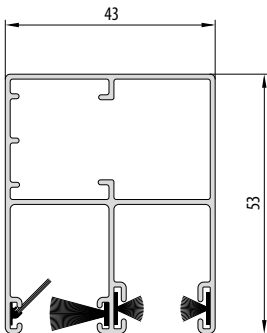
- PP53 ODS
- SK45 • SK90 • SKP • SKO-P • Railing SK45
- SP-E • QuadBox



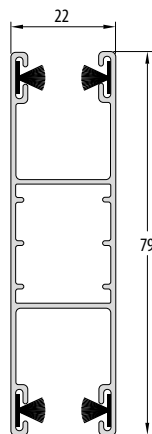
- PP53 ODS20
- SK45 • SK90 • SKP • SKO-P • Railing SK45
- SP-E • QuadBox



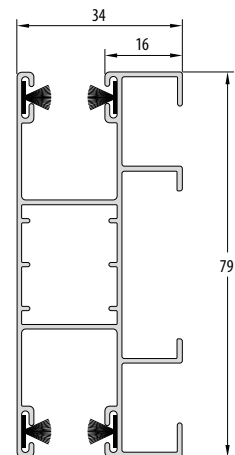
- PPMO53
- SK45 • SK90 • SKP • SKO-P • SP-E • QuadBox



- PPDO53
- SK45 • SK90 • SKP • SKO-P • SP-E • QuadBox

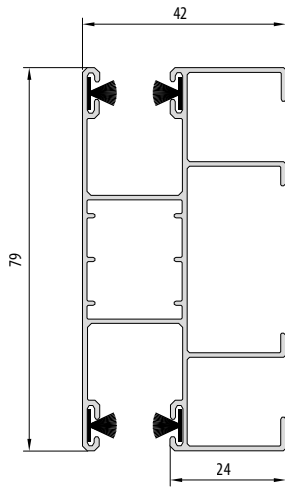


- PPD79
- SK45 • SK90 • SKP • SKO-P • Railing SK45
- SP-E • QuadBox

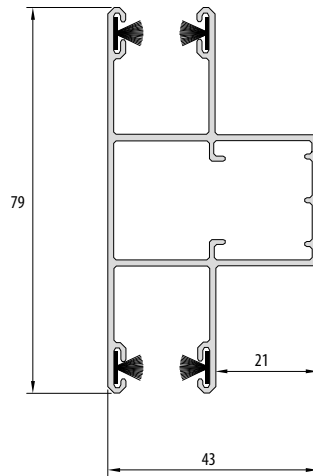


- PPD79 ODS
- SK45 • SK90 • SKP • SKO-P • Railing SK45
- SP-E • QuadBox

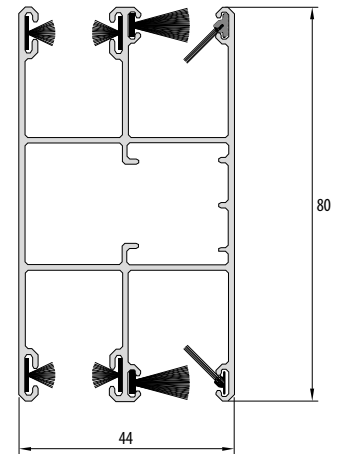
Roller shutter guide cross-sections adaptive and flush-mounted



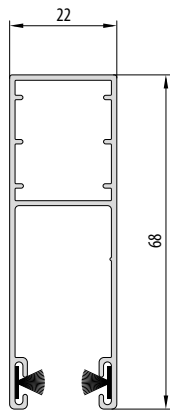
- PPD79 ODS20
- SK45 • SK90 • SKP • SKO-P • Railing SK45
- SP-E • QuadBox



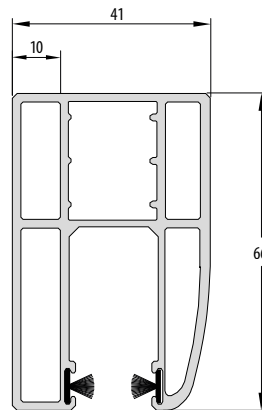
- PPDMO79
- SK45 • SK90 • SKP • SKO-P • SP-E • QuadBox



- PPDO79
- SK45 • SK90 • SKP • SKO-P • SP-E • QuadBox



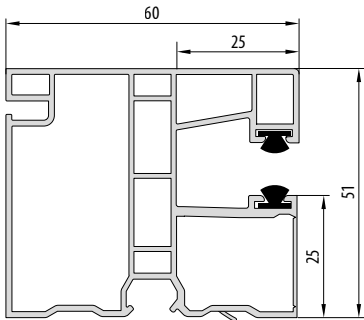
- PP68
- SK45 • SK90 • SKP • SKO-P
- Railing SK45 • SP-E • QuadBox



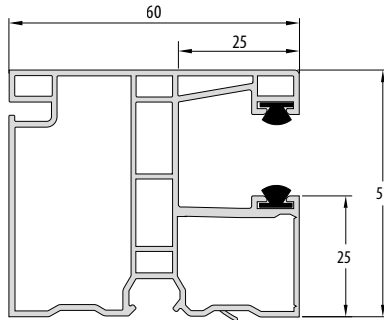
- PPW66 ODS10
- SK45 • SK90 • SKP • SKO-P
- Railing SK45 • SP-E • QuadBox

Roller shutter guide cross-sections

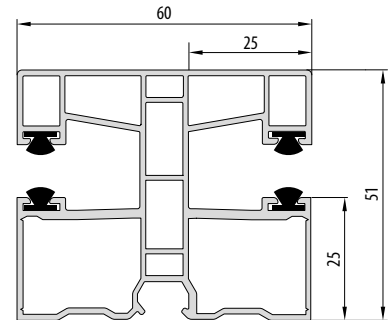
top-mounted



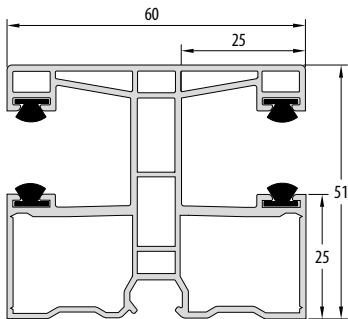
- EX5090
- Expert XT • Elite XT • Neo XT • Roka Top 2
- Roka Top 2 EX • Roka Top 2 PLUS



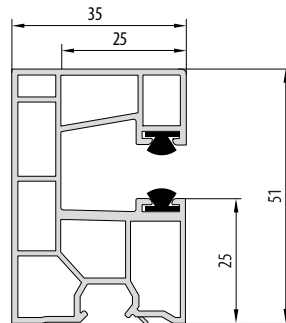
- EX5091
- Expert XT • Elite XT • Neo XT • Roka Top 2
- Roka Top 2 EX • Roka Top 2 PLUS



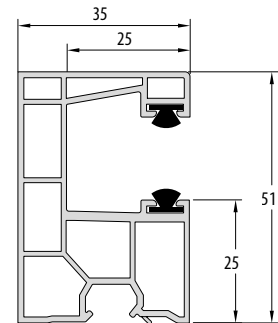
- EX5095
- Expert XT • Elite XT • Neo XT • Roka Top 2
- Roka Top 2 EX • Roka Top 2 PLUS



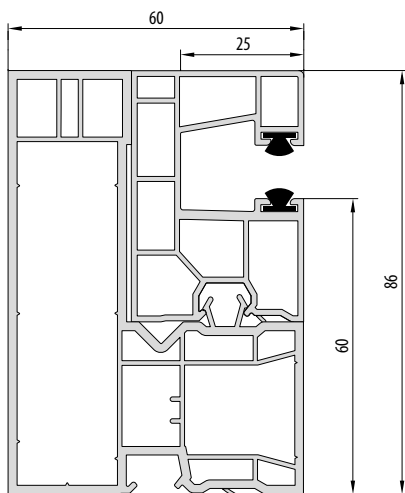
- EX5096
- Expert XT • Elite XT • Neo XT • Roka Top 2
- Roka Top 2 EX • Roka Top 2 PLUS



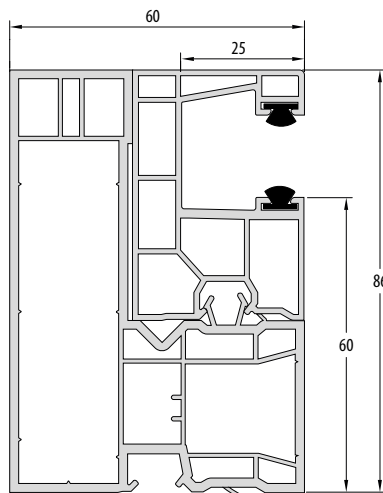
- EX5085*
- Expert XT • Elite XT • Neo XT



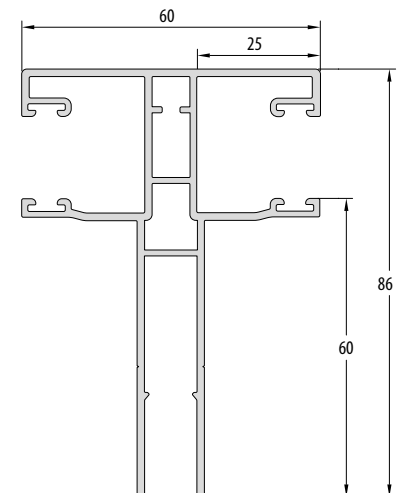
- EX5081*
- Expert XT • Elite XT • Neo XT



- EX5086
- Elite XT Revision: from the outside
- Neo XT Revision: from the outside



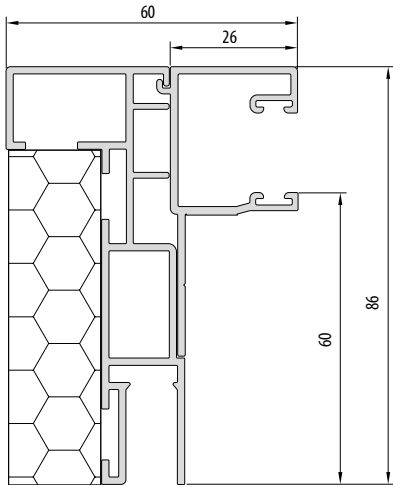
- EX5087
- Elite XT Revision: from the outside
- Neo XT Revision: from the outside



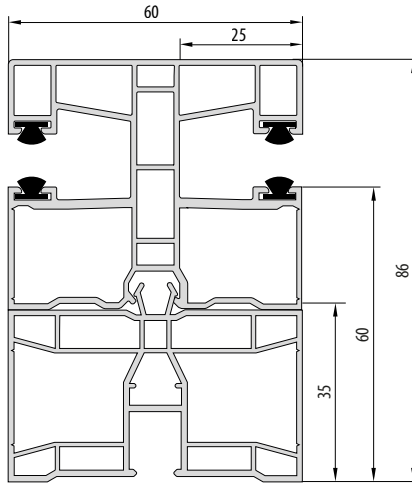
- EX5434
- Elite XT Revision: from the outside
- Neo XT Revision: from the outside

Roller shutter guide cross-sections

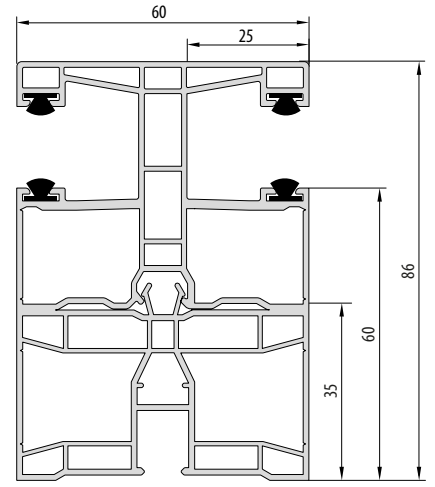
top-mounted



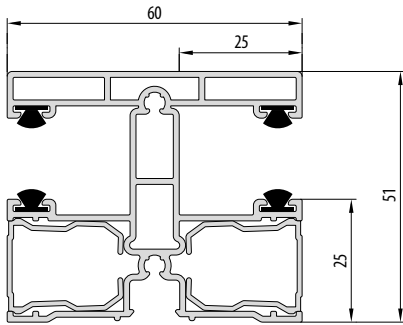
- EX5433
- Elite XT Revision: from the outside
- Neo XT Revision: from the outside



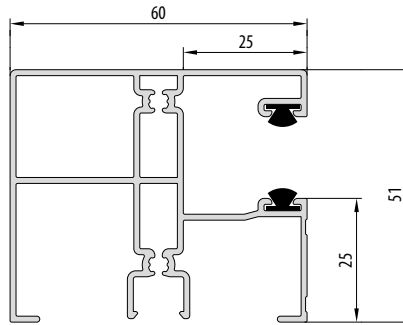
- EX5095 + offset 5082
- Elite XT Revision: from the outside
- Neo XT Revision: from the outside



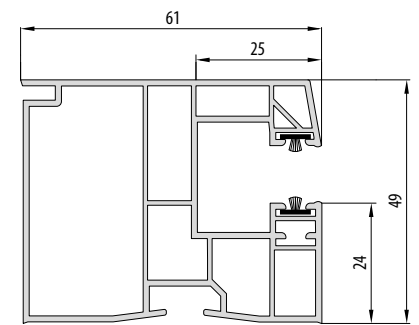
- EX5096 + offset 5082
- Elite XT Revision: from the outside
- Neo XT Revision: from the outside



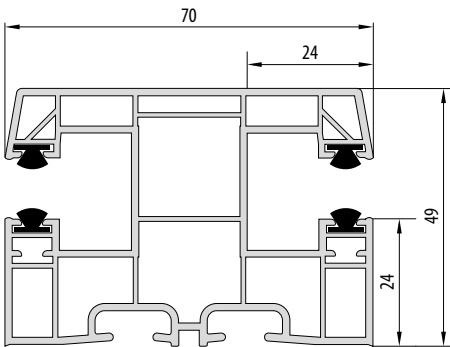
- EX5431
- Expert XT • Elite XT • Neo XT • Roka Top 2
- Roka Top 2 EX • Roka Top 2 PLUS



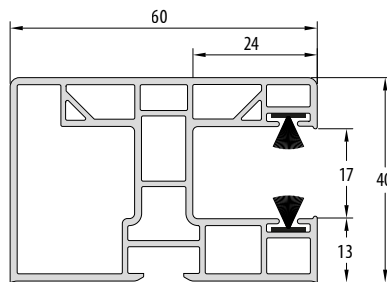
- EX5432
- Expert XT • Elite XT • Neo XT • Roka Top 2
- Roka Top 2 EX • Roka Top 2 PLUS



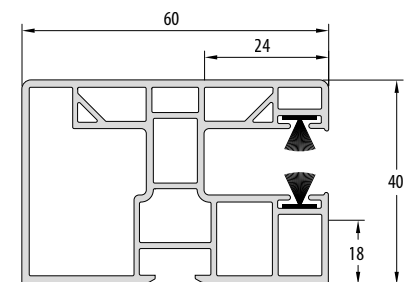
- EXR 151
- Exakt



- EXR 158
- Exakt



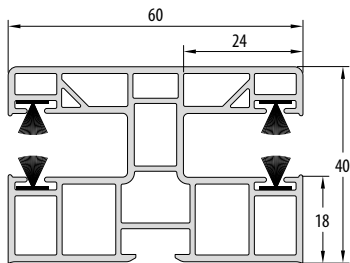
- PP60/17
- Opoترم • Styrotherm



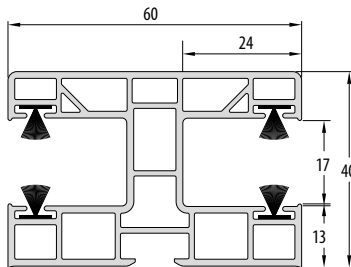
- PP60/12
- Opoترم • Styrotherm

Roller shutter guide cross-sections

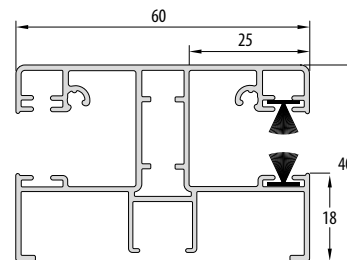
top-mounted



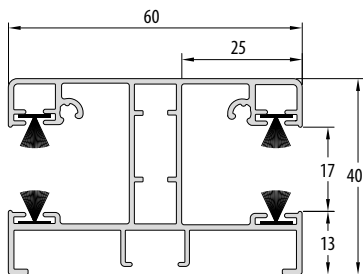
• PPD-P 60/12
• OpoTerm, Styrotherm



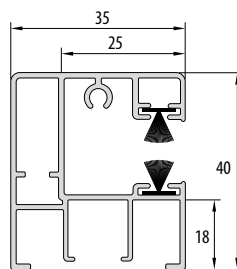
• PPD-P 60/17
• OpoTerm, Styrotherm



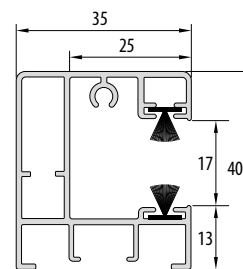
• PPDA 60/12
• OpoTerm, Styrotherm



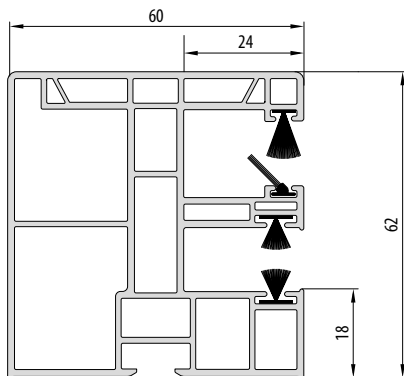
• PPDA 60/17
• OpoTerm, Styrotherm



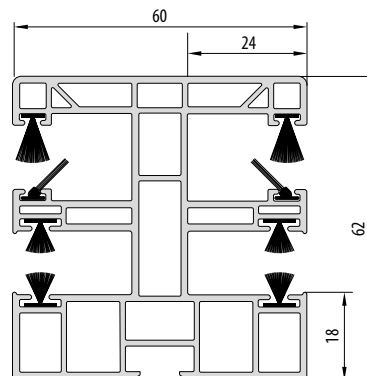
• PPA 35/12*
• OpoTerm, Styrotherm



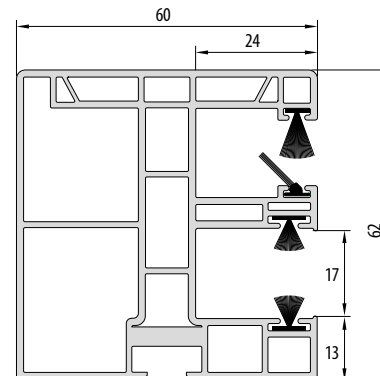
• PPA 35/17*
• OpoTerm, Styrotherm



• PPM 60/12
• OpoTerm



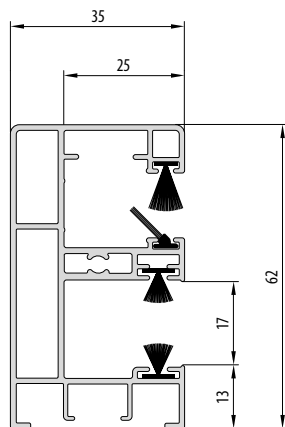
• PPDM-P 60/12
• OpoTerm



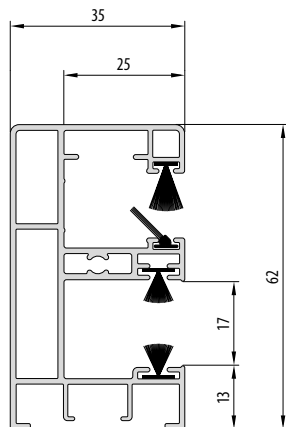
• PPDM-P 60/17
• OpoTerm

Roller shutter guide cross-sections

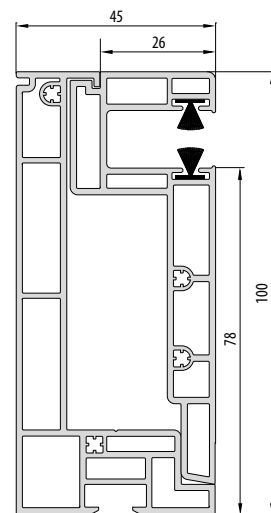
top-mounted



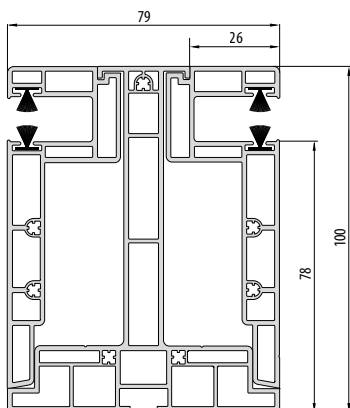
- PPAM 35/12*
- Opoterm



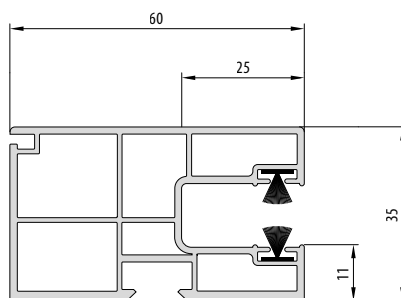
- PPAM 35/17*
- Opoterm



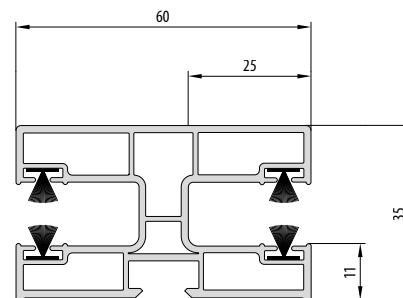
- PPRA 12**
- Styroterm Revision: from the outside



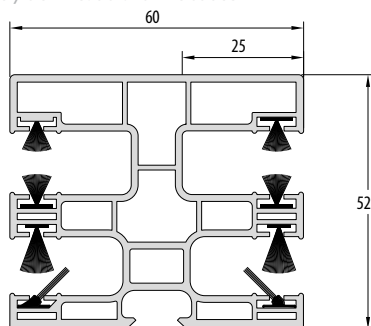
- PPDRA 79
- Styroterm Revision: from the outside



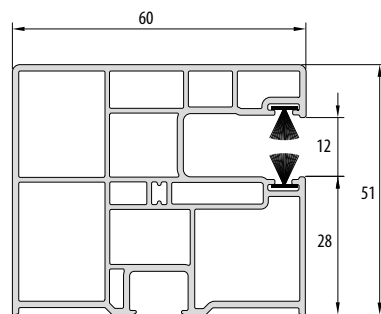
- PG08
- Cleverbox Si, Cleverbox Ri



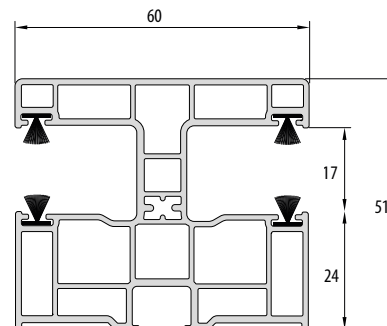
- PG02
- Cleverbox Si, Cleverbox Ri



- PG09
- Cleverbox Si, Cleverbox Ri



- 1620
- Decco Thermo Box

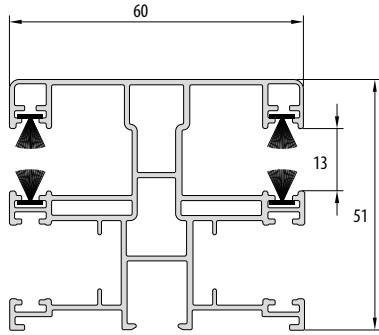


- 1652
- Decco Thermo Box

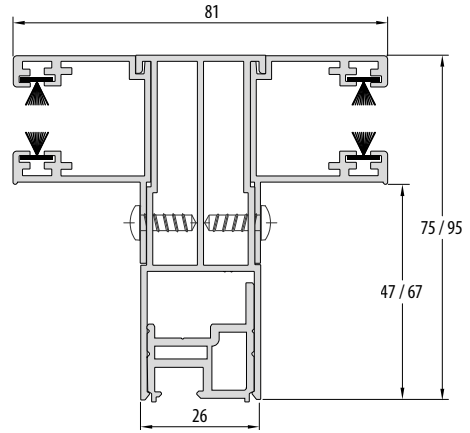
*Prowadnice montowane są z przesunięciem 25 mm do środka względem zewnętrznej krawędzi ościeżnicy.
 **Prowadnice montowane są z przesunięciem 15 mm do środka względem zewnętrznej krawędzi ościeżnicy.

Roller shutter guide cross-sections

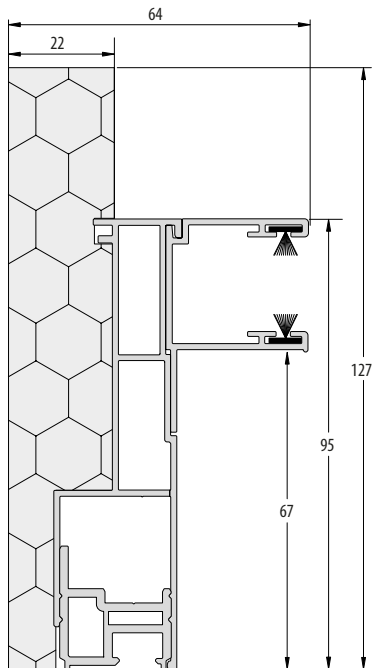
top-mounted



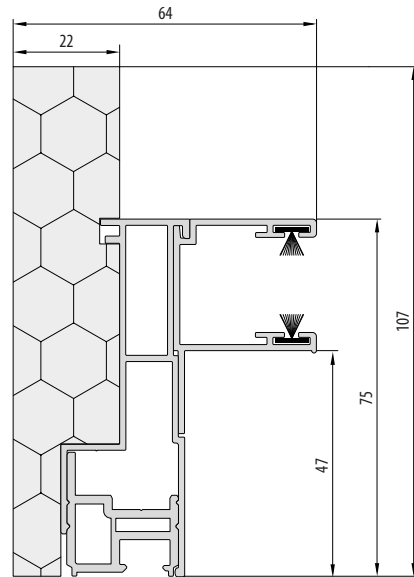
- PATB
- Decco Thermo Box



- Pitch guide RGT 75/95
- Roka top 2 RG / RG EX



- RGTG 95
- Roka top 2 RG / RG EX



- RGTG 75
- Roka top 2 RG / RG EX

Drives and accessories

Traditional solutions are slowly giving way to electric drives, which provide better protection for the home and increase the comfort of its residents. These can be operated with a classic keypad switch, remote control, or smartphone.

Classic roller shutter models can be operated manually:

- using a strap or cord with a winder,
- with a crank mechanism, or with a spring mechanism with a locking bolt.

Motors are equipped with obstacle detection and provide protection against damaging the armor. This means that accidentally placed flower pots on the windowsill or frozen elements of the shutter in winter will not damage the product.

The offer includes drives and accessories from brands: Aluprof, Elero, Inel, Rojaflex, Selve, Somfy, Yooda.

ALUPROF
ALUMINIUM SYSTEMS

e l e r o
Sun Shading Solutions Nice

inel.

rojaflex
solutions

SELVE
Technik, die bewegt

somfy

YOODA

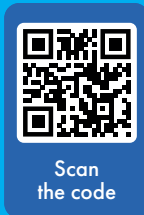


benefit Eko-Okna is a free, industry-specific compendium of knowledge about joinery.

It contains everything that is needed in the daily work of a distributor:



- product tutorial
- technical catalogue
- garage doors calculator
- assembly instructions
- materials from suppliers



Scan
the code

benefit.ekookna.com



eko **4u**

eko4u is a tool for distributors in the joinery industry. eko4u represents a new dimension in managing your business. With it, you can:



- create offers and orders independently
- control deliveries
- browse and download invoices
- submit complaints



Scan
the code

eko4u.com