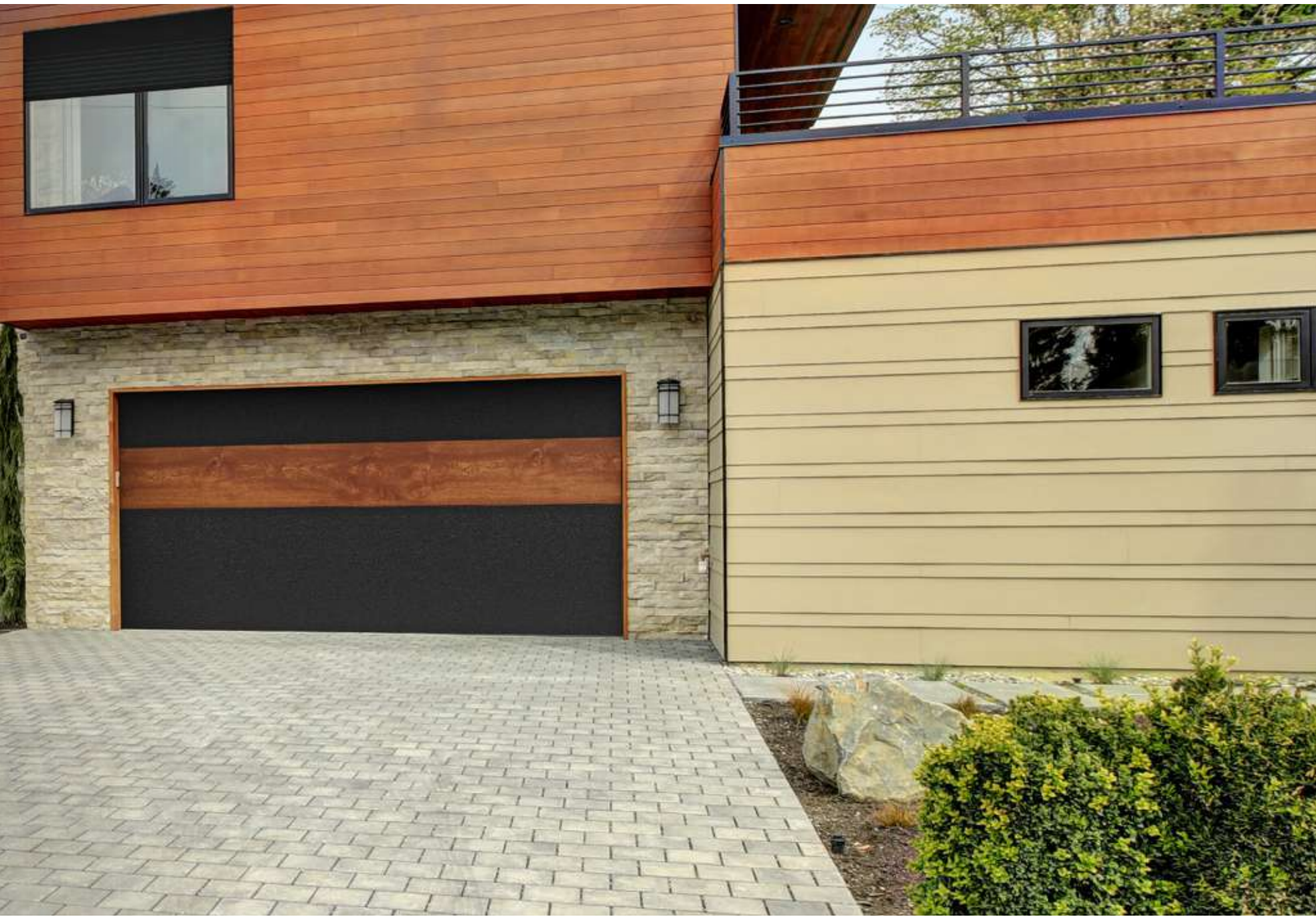




SECTIONAL GARAGE DOORS

The garage doors is one of the most exposed and used elements of the house and garage on a daily basis, An important aspect is that the garage door should match the entire façade and emphasize its charm.

Over the years, we have analysed the needs of the market and specially created the line of INFINITI sectional garage doors for you. The meet the current trends, provide safety, warmth and have a very high standard of use.



Types of sectional garage door systems

Customers can choose one of the garage doors systems we offer.



INFINITI X

- maximum surface 9 m²
- maximum weight: 130 kg
- maximum dimensions of jambs: 85 mm
- minimum dimensions of the lintel 120 mm (105 mm for manual garage doors)
- we offer panels with a smooth outer surface, a woodgrain structure with low and high ribbing (varnished according to the rich RAL palette) or veneered
- recommended for installation in small garages
- quick assembly does not require special winding of the springs
- double spring mechanism used



INFINITI F

- maximum surface 18 m²
- maximum weight: 295 kg
- minimum dimensions of jambs: 85 mm
- minimum dimensions of the lintel : 200 mm
- we offer panels with a smooth outer surface, a woodgrain structure with low and high ribbing (varnished according to the rich RAL palette) or veneered
- the torsion spring system is dedicated to large-size garage doors



INFINITI R

- maximum surface 12,5 m²
- minimum dimension of jambs : 85 mm
- minimum dimension of the lintel: 120 mm (105 mm for manual garage door)
- we offer panels with a smooth outer surface, a woodgrain structure with low and high ribbing (varnished according to the rich RAL palette) or veneered
- torsion springs located at the rear of the garage door allow for its installation in garage openings with lower headroom.

Renovation system

installation of garage doors INFINITI R i INFINITI X



INFINITI ZERO

- ideal solution when side space is limited
- fits perfectly with INFINITI X or INFINITI R system
- 120 mm masking profile for lintels or vertical angles and 85 mm masking profile only for vertical angles
- for maximum garage width of 5500 mm a maximum ceiling height of 3000 mm
- available in RAL9016 and RAL7016 colours or any RAL colour



INFINITI X

Garage doors system with extension springs

The system with tension springs is recommended for use in garages with small area. Its assembly is quick and does not require additional winding of the springs. The INFINITI X uses the so-called „spring-in-spring“ mechanism, which allows the safe use of door sash weighing up to 130 kg. The presence of two springs also provides additional security, eliminating the risk of the highly improbable breakage of one of the springs.



type of drive	manual or electric	
max. surface of the door curtain	9 m ²	
max. dimension of the opening	DW = 4500 mm DH = 3000 mm	
min. jamb width	85 mm	
minimum / recommended headroom height	105 mm / 120 mm (electric drive)	
max. headroom height for standard suspensions	430 mm	
min. installation depth - manual drive	DH + 579 mm	
min. installation depth - electric drive	Somfy	DH to 2250 mm - min. 3150 mm DH to 2750 mm - min. 3750 mm DH to 3000 mm - min. 4750 mm
	Came	DH to 2500 mm - min. 3480 mm DH to 3000 mm - min. 4250 mm
	Beninca	DH to 2250 mm - min. 3250 mm DH to 2500 mm - min. 4250 mm
	Sommer	DH to 2500 mm - min. 3554 mm DH to 3000 mm - min. 4102 mm DH to 3500 mm - min. 4650 mm

DW – doors width
DH – doors height

INFINITI F

Garage door system with torsion springs at front

Torsion springs are dedicated to large-size garage doors. They will lift much more weight than extension springs. Installation of doors with torsion springs at the front is possible if the headroom height is at least 200 mm. The maximum garage door weight is approximately 295 kg.



type of drive	manual or electric	
max. surface of the door curtayny	18 m ²	
max. dimension of the opening	DW = 6000 mm DH = 3500 mm	
min. jamb width	85 mm	
minimum / recommended headroom heigh	200 mm	
max. headroom height for standard suspensions	430 mm	
min. installation depth - manual drive	DH + 575 mm	
min. installation depth - electric drive	Somfy	DH to 2250 mm - min. 3150 mm DH to 2750 mm - min. 3750 mm DH to 3000 mm - min. 4750 mm
	Came	DH to 2500 mm - min. 3480 mm DH to 3000 mm - min. 4250 mm
	Beninca	DH to 2250 mm - min. 3250 mm DH to 2500 mm - min. 4250 mm
	Sommer	DH to 2500 mm - min. 3554 mm DH to 3000 mm - min. 4102 mm DH to 3500 mm - min. 4650 mm

DW – doors width
DH – doors height

INFINITI R

Garage doors system with rear torsion springs

The location of the torsion springs in the rear part of the doors allows it to be installed in the garage opening with a lower lintel. In this case, a headroom of 120 mm in the case of the electric drive is sufficient. Maximum load capacity up to approximately 165 kg.



type of drive	manual or electric	
max. surface of the door curtayny	12,5 m ²	
max. dimension of the opening	DW = 5500 mm DH = 3000 mm	
min. jamb width	85 mm	
minimum / recommended headroom heigh	105 mm / 120 mm (electric drive)	
max. headroom height for standard suspensions	430 mm	
min. installation depth - manual drive	DH + 695 mm	
min. installation depth - electric drive	Somfy	DH to 2250 mm - min. 3150 mm DH to 2750 mm - min. 3750 mm DH to 3000 mm - min. 4750 mm
	Came	DH to 2500 mm - min. 3480 mm DH to 3000 mm - min. 4250 mm
	Beninca	DH to 2250 mm - min. 3250 mm DH to 2500 mm - min. 4250 mm
	Sommer	DH to 2500 mm - min. 3554 mm DH to 3000 mm - min. 4102 mm DH to 3500 mm - min. 4650 mm

DW – doors width
DH – doors height

Renovation installation system

INFINITI ZERO

When there is no side space or headroom

For situations where side space or headroom is limited, we have designed an add-on for INFINITI systems. These elements allow the set of guides to be mounted directly to the wall or ceiling. These connections are covered with high-quality profiles that ensure a durable and modern finish. It is an ideal solution for the so-called tunnels garages or renovation projects where side space or headroom is severely limited.



bracket for mounting
the vertical guide to the wall



HOME ZERO
distance profile



bracket for mounting
the lintel profile to the ceiling



holder for mounting
the horizontal guide to wall



covering profile that can
be painted in RAL colours

INFINITI THERMO UNCOMPROMISED THERMAL INSULATION

Increasing thermal performance requirements make it necessary to minimise the thermal transmission of all joinery elements. INFINITI Thermo is the answer to the needs of the most demanding investors, including owners of passive buildings. The use of a 60 mm thick panel and advanced sealing systems has allowed for a significant improvement in the parameters of the garage doors while maintaining the highest standards of durability, comfort and available aesthetic options.





INFINITI Thermo F

Garage door system with torsion springs at the front

A door with torsion springs at the front is a solution for lifting up to 295 kg. Torsion springs at the front require at least 200 mm of headroom, but allow a door area of up to 18 m².

type of drive	manual or electric	
max. surface of the door curtai	18 m ²	
max. dimension of the opening	DW = 6000 mm DH = 3000 mm	
min. jamb width	100 mm	
minimum / recommended headroom height	200 mm	
max. headroom height for standard suspensions	430 mm	
min. installation depth - manual drive	DH + 695 mm	
min. installation depth - electric drive	Somfy	DH to 2250 mm - min. 3150 mm DH to 2750 mm - min. 3750 mm DH to 3000 mm - min. 4750 mm
	Came	DH to 2500 mm - min. 3480 mm DH to 3000 mm - min. 4250 mm
	Beninca	DH to 2250 mm - min. 3250 mm DH to 2500 mm - min. 4250 mm
	Sommer	DH to 2500 mm - min. 3554 mm DH to 3000 mm - min. 4102 mm DH to 3500 mm - min. 4650 mm

DW – doors width
DH – doors height



INFINITI Thermo R

Garage door system with torsion springs at the back

The use of torsion springs at the back makes it possible to garage door weights of up to 165 kg with a headroom of only 150 mm. This is the ideal option when the garage opening is large, even up to up to 12.5 m², but the headroom is limited.

type of drive	manual or electric	
max. surface of the door curtai	12,5 m ²	
max. dimension of the opening	DW = 5500 mm DH = 3000 mm	
min. jamb width	100 mm	
minimum / recommended headroom heigh	150 mm	
max. headroom height for standard suspensions	430 mm	
min. installation depth - manual drive	DH + 695 mm	
min. installation depth - electric drive	Somfy	DH to 2250 mm - min. 3150 mm DH to 2750 mm - min. 3750 mm DH to 3000 mm - min. 4750 mm
	Came	DH to 2500 mm - min. 3480 mm DH to 3000 mm - min. 4250 mm
	Beninca	DH to 2250 mm - min. 3250 mm DH to 2500 mm - min. 4250 mm
	Sommer	DH to 2500 mm - min. 3554 mm DH to 3000 mm - min. 4102 mm DH to 3500 mm - min. 4650 mm

DW – doors width
DH – doors height

Technical information INFINITI Thermo

Height / Width	2000	2250	2500	2750	3000	3250	3500	3750	4000	4250	4500	4750	5000	5250	5500	5750	6000	6250	6500	
2000	0,97	0,95	0,94	0,92	0,92	0,91	0,90	0,90	0,89	0,89	0,88	0,88	0,87	0,87	0,87	0,87	0,86	0,86	0,86	
2125	0,94	0,93	0,91	0,90	0,89	0,88	0,88	0,87	0,86	0,86	0,86	0,85	0,85	0,84	0,84	0,84	0,84	0,84	0,84	0,83
2250	0,92	0,91	0,89	0,88	0,87	0,86	0,85	0,85	0,84	0,84	0,83	0,83	0,82	0,82	0,82	0,82	0,81	0,81	0,81	0,81
2375	0,91	0,89	0,87	0,86	0,85	0,84	0,83	0,83	0,82	0,81	0,81	0,81	0,80	0,80	0,80	0,79	0,79	0,79	0,79	0,79
2500	0,95	0,92	0,90	0,88	0,87	0,86	0,85	0,84	0,83	0,82	0,82	0,81	0,81	0,80	0,80	0,79	0,79	0,79	0,79	0,78
2625	0,93	0,90	0,88	0,87	0,85	0,84	0,83	0,82	0,81	0,80	0,80	0,79	0,79	0,78	0,78	0,78	0,78	0,77	0,77	0,77
2750	0,92	0,89	0,87	0,85	0,84	0,82	0,81	0,80	0,80	0,79	0,78	0,78	0,77	0,77	0,76	0,76	0,76	0,76	0,75	0,75
2875	0,90	0,87	0,85	0,84	0,82	0,81	0,80	0,79	0,78	0,77	0,77	0,76	0,76	0,75	0,75	0,74	0,74	0,74	0,74	0,73
3000	0,94	0,90	0,88	0,86	0,84	0,82	0,81	0,80	0,79	0,78	0,77	0,77	0,76	0,76	0,75	0,75	0,74	0,74	0,74	0,73
3125	0,92	0,89	0,86	0,84	0,83	0,81	0,80	0,79	0,78	0,77	0,76	0,75	0,75	0,74	0,74	0,73	0,73	0,73	0,72	0,72
3250	0,91	0,88	0,85	0,83	0,81	0,80	0,78	0,77	0,76	0,76	0,75	0,74	0,73	0,73	0,72	0,72	0,71	0,71	0,71	0,71
3375	0,90	0,87	0,84	0,82	0,80	0,79	0,77	0,76	0,75	0,74	0,74	0,73	0,72	0,72	0,71	0,71	0,70	0,70	0,70	0,70
3500	0,93	0,89	0,86	0,84	0,82	0,80	0,79	0,77	0,76	0,75	0,74	0,74	0,73	0,72	0,72	0,71	0,71	0,70	0,70	0,70

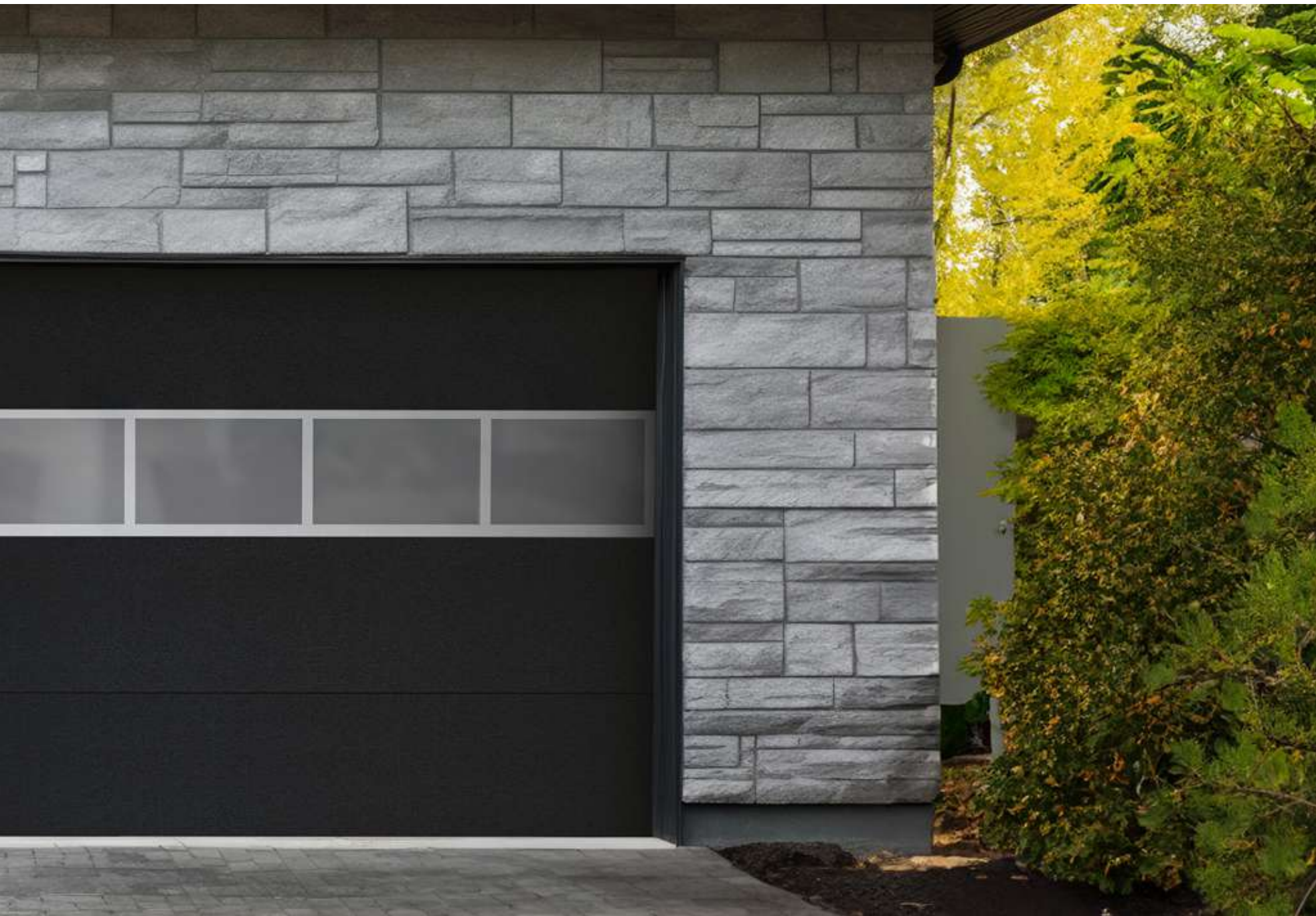
The chart shows the heat transfer coefficient U (W/m²K) dla bram INFINITI THERMO z panelem o grubości 60 mm.



A photograph of a modern garage door set against a wall of grey stone blocks. The garage door is dark-colored and features a horizontal row of five rectangular glass panels. The scene is dimly lit, with some greenery visible on the left side.

ENDLESS POSSIBILITIES

INFINITI sectional garage doors offer a lot of possibilities, especially when it comes to additional lighting of the garage or workshop. The door sections can be fitted with very large glazing made of transparent or privacy glass maximizing natural light. Doors with glazed sections are available in the same sizes as the other options. The width of the panoramic glazing can reach up to 3 meters without the use of additional mullions. There is also a possibility of using a ventilation section (expanded mesh filling).



Finishes and applications option



Service doors

Available up to a width of 4.5 m with a low or high threshold. The possibility of making wider doors should be consulted with the Eko-Okna sales department.

*Garage doors with a width of over 4.5 m, to be agreed individually with the technology department.



low threshold



high threshold



Glazing

A large selection of insulating glass units with inox overlay and acrylic glass in PVC frames.



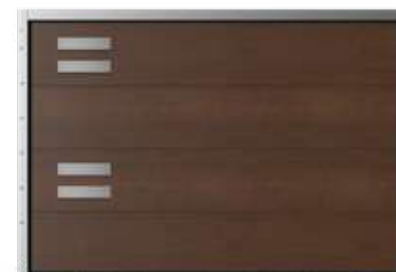
INOX frame, glass pane



PVC frame, acrylic glass



Torino



Firenze



Verona



Blend

It allows you to create a lintel, if the customer does not have one, and compensates for the unevenness of the opening in which the door is installed. The fascia is varnished in the colour of the garage door.



Aluminium / panoramic section

Possibility of making an aluminium section up to 6000 mm or panoramic glass (without chambers) to 3000 mm.





Embossing **patterns** and panel **structures**

Garage door panels from the outside can use wood-like Woodgrain structures, elegant Deep Mat and smooth structures. From the inside, the panels have a smooth structure in a standard colour similar to RAL 9010. All panels can be optional equipped with low and high embossing. From the inside, the panels have a standard STUCCO structure with low embossing.



L - embossing



V - high embossing



F - no embossing



Woodgrain



Deep Mat



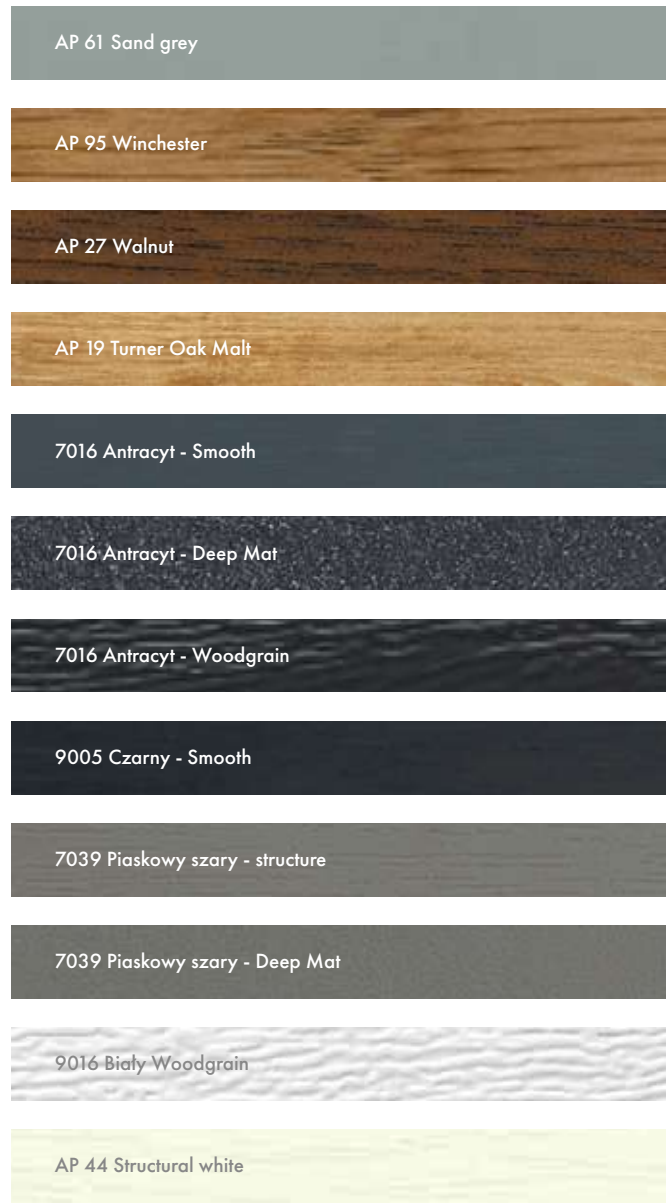
Smooth

The image shows a variety of material and color samples for garage door finishing. In the foreground, there are several overlapping color swatches in shades of yellow, orange, brown, and grey. Behind them, there are stacks of wood veneer samples with different grain patterns, including dark wood and lighter, more uniform tones. The samples are arranged on a dark, textured surface, possibly a table or workbench. The overall composition is a close-up, angled view of the materials.

COLOUR PALETTE

The perfect match of the garage door to each building provides a wide range of panel finishing options. They can be varnished in any colour from the RAL palette or Aluplast and Salamander veneers can be used. The available options allow for a consistent appearance of the garage door and other elements of the joinery

Colour	Panel					
	FWG	VWG	LWG	FSL	VSL	LSL
RAL	Yes	Yes	Yes	Yes	Yes	Yes
DEKOR	-	-	-	Yes	-	-
DEEP MAT (7016/7039/9005)	-	-	-	Yes	-	-



The panels are available in colours from the RAL palette and veneers used for Salamander and Aluplast window profiles.



SECTIONAL GARAGE DOOR **AUTOMATION**

Our offer is based on SOMFY automation and Dexxo models with the possibility of being equipped with many accessories. CAME, BENINCA and also BFT.

Comprehensive home control

INFINITI systems are compatible with comprehensive smart home solutions that are controlled via a phone app or with the help of a voice assistant. With the TaHoma® Switch control panel, you get full control over the entire home ecosystem, which may also include e.g. window covering and lighting. Scenarios created easily and activated with one button significantly increase the comfort of household members.



smartphone control



voice assistant



stationary

Dexxo Compact 750 io drive

- easy programming and easy diagnostics (Tahoma PRO i Serve-e-Go)
- drive ready for operation in less than 90 seconds
- Integrated obstacle detection
- compatibility with control panel TaHoma® switch
- built-in lighting LED



Home HG drive

- smooth soft start „Soft Start” and gentle closing of the garage door „Soft Stop”
- programmed limit positions
- motor power adjustment
- built-in anti-crushing encoder - when the garage door is moving
- it automatically stops and reverses when it encounters an obstacle



Name	Smart Io 800 N	Smart Io 1000 N	Home HG 600 N	Home HG 1000 N	Dexxo Compact 750 N	JIM 3 600 N
Producer	Somfy	Somfy	Came	Came	Somfy	Beninca
Radioline	io	io	Space	Space	io	TO.GO
Frequency	868-870 MHz	868-870 MHz	433,92 MHz	433,92 MHz	868 - 870 MHz	433,92 MHz
Thrust [N]	800	1000	600	1000	750	600
Maximum garage door area	12 m ²	15 m ²	10 m ²	14 m ²	12 m ²	11 m ²
Amperometric force measurement	Yes	Yes	Yes	Yes	Yes	Yes
Soft start and stop	Yes / programmable	Yes / programmable	-	-	Yes / programmable	Yes / programmable
Built-in lighting	LED	LED	Żarówka	Żarówka	LED	LED
Maximum number of channels	38*	38*	36	36	32	64
The number of remotes in the set	2	2	2	2	2	2
Type of rails	chain / belt	chain / belt	chain / belt	chain / belt	chain / belt	belt
Garage door position feedback	Yes**	Yes**	-	-	Yes**	Yes**
Number of cycles per day	20	20	-	-	20	-
Degree of protection IP	IP20	IP20	IP20	IP20	IP20	IP40
Opening speed	max. 140 mm/s	max. 100 mm/s	96 mm/s	97 mm/s	max. 140 mm/s	max. 148 mm/s

Beninca JIM 3 ESA TURBO drive

- quiet operation
- maximum height 3,5 m
- maximum surface 11 m²
- option to connect an emergency power supply
- monitoring the current number of cycles

BENINCA



JACK24.50 drive

- pre-programmed at the factory
- amperometric system for obstacle detection
- possibility of connecting an emergency battery
- compatibility with KNX systems and X.BE accessories
- quick release system

BENINCA

Name	JIM 3 turbo 600 N	JIM 4 1200 N	JACK24.50	S 9060 base +	S 9080 base +	S 9110 base +
Producer	Beninca	Beninca	Beninca	Sommer	Sommer	Sommer
Radioline	TO.GO	TO.GO	-	-	-	-
Frequency	433,92 MHz	433,92 MHz	433,92 MHz	868,95 MHz	868,95 MHz	868,95 MHz
Thrust [N]	600	1200	50 Nm torque	600	800	1100
Maximum garage door area	11 m ²	18 m ²	20 m ²	-	-	-
Amperometric force measurement	Yes	Yes	Yes	Yes	Yes	Yes
Soft start and stop	Yes / programowalny	Yes / programowalny	Yes / programowalny	Yes / programowalny	Yes / programowalny	Yes / programowalny
Built-in lighting	LED	LED	LED	LED	LED	LED
Maximum number of channels	64	64	2	40	40	40
The number of remotes in the set	2	2	2	2	2	2
Type of rails	Belt	Belt	-	Chain	Chain	Chain
Garage door position feedback	Yes **	Yes**	Yes	-	-	-
Number of cycles per day	-	1040****	1200	3/4 cycles per day	3/4 cycles per day	3/4 cycles per day
Degree of protection IP	IP40	IP40	IP40	IP21	IP21	IP21
Opening speed	max. 258 mm/s	max. 148 mm/s	34 RPM	240 mm/s	210 RPM	180 RPM

SOMMER S 9060 base+ drive

- maximum thrust and thrust force: 600 N
- maximum door weight: 120 kg
- maximum traverse speed 24 cm/s
- maximum door height: 2,5 m
- maximum door width 4,5 m

SOMMER



SOMMER S 9080 base+ drive

- maximum thrust and thrust force: 800 N
- maximum door weight: 160 kg
- maximum traverse speed: 21 cm/s
- maximum door height: 2,5 m
- maximum door width 6,0 m

SOMMER

SOMMER S 9110 base+ drive

- maximum thrust and thrust force: 1100 N
- maximum door weight: 200 kg
- maximum traverse speed: 18 cm/s
- maximum door height: 2,5 m
- maximum door width 7,1 m

SOMMER

SOMMER base+

The SOMMER base+ sectional garage door operator is an intelligent solution, controlled by a radio remote control with two-way communication. It is compatible with smart home systems (SOMweb). SOMMER base+ can independently adapt its operating parameters to the needs of the at any given time, giving it a very long service life, increased safety and improved operating culture. It is available in 3 variants with different maximum power and specific parameters.



The most important features in SOMMER base+: drive



has a special system to protect the motor gearbox, which reduces the noise and wear of the whole mechanism



can monitor the closing force to reduce opening and closing times and to react to obstacles blocking the door movement



is radio-controlled using two-way radio technology and can be operated in a smart home system from an app or a web browser

Sectional garage doors automation **accessories** – Somfy



Keyboard

Operating in the RTS or io technology, the wall keypad allows you to control two devices or their groups. The device runs on batteries and does not need wiring.



Smoove io

Wall transmitter operating in io technology. Battery powered. It allows remote control of the garage door operation.



Universal radio receiver

Radio receiver designed for remote control of garage doors. It works in RTS technology. Compatible with TaHoma® Switch..



Signal lamp

Signal lamps informing about the opening and closing of the entrance garage door provide even greater safety for users.



Backup battery

The battery allows the drive to operate during a power failure, 5-10 cycles of operation within 24 hours, depending on the characteristics.



RTS wall transmitter

Battery powered RTS radio transmitter. It allows you to control up to 3 devices or their groups from a distance of up to 30 m.



Centrala TaHoma®

IOOnline io & RTS installation manager



Photocells Master Pro Bitech

The offer includes a set of photocells for garage doors, which are equipped with a special system that guarantees stopping the garage door when it encounters an obstacle on its way.



Automatic garage doors **accessories** – Beninca



Wall-mounted housing/transmitter

Consisting of a wall-mounted housing and TO.GO VA/AK/A remote control, the wall-mounted keypad is easy to install and requires no cable installation. It is distinguished by its modern design.



WiFi Module

Supporting 2 channels (devices), the module allows automation to be controlled via WiFi-enabled devices such as phones and tablets - free SUPLA app.



Car holder

A convenient car holder allowing for the safe mounting of Beninca remote controls in any vehicle



IRI.LAMP

LED signal lights in two colours. They are compatible with power sources supplying direct and alternating current. Equipped with a convenient mounting clip. Energy consumption <1W.



DA.BT-SW accumulator

The emergency accumulator enables garage door automation to be operated in the event of a mains power failure. A pair of batteries is required for proper operation.



BE.CODE Code keypad

Wireless keyboard powered by rechargeable lithium batteries. Compatible with Beninca radio receivers. Range in an open area is up to 100 metres.



PUPILLA Photocells

They stand out for their modern aesthetics, although it is their efficiency and easy installation that make them so popular..



pro.UP Programmer

Module using a serial connection to communicate with compatible products. Possibility of controlling any device via potential-free inputs and outputs.







ALL IN ONE DESIGN

Redefining the style

Developed for customers with the most sophisticated tastes and for those who, when designing a house, pay attention to every, even the smallest detail. The aesthetic product line „All in One Design“ not only saves time needed to choose the joinery, but above all, it guarantees a harmonious appearance of windows, doors, garage doors and roller shutters.

Torino



Foggia





Firenze



Livorno



Messina





Modena



Trieste



Verona

A photograph of a modern, two-story house at dusk. The house has a dark grey roof with two skylights and a light-colored facade. A dark, modern garage door is visible on the right side of the house. In the foreground, there is a dark metal fence with a gate. The background shows a dense forest of trees and a misty or hazy sky. The overall mood is serene and modern.

EQUIPMENT PACKAGES

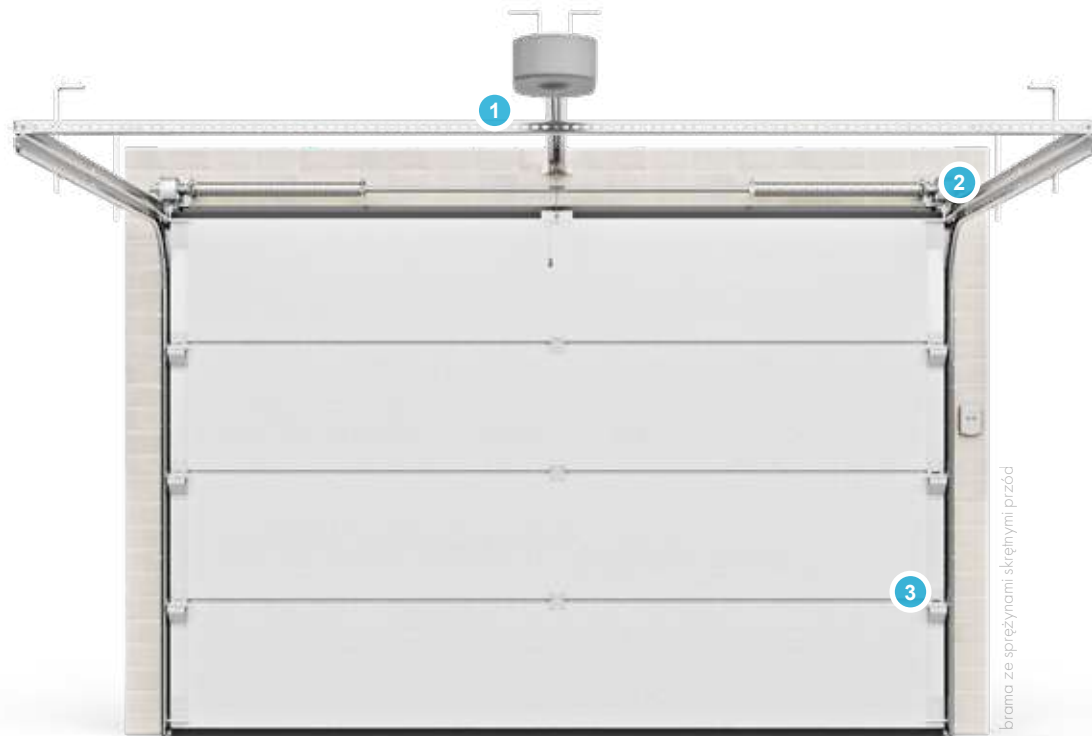
SECTIONAL GARAGE DOORS

The wide range of optional equipment for INFINITI doors has been divided into packages to make it easier for builders to make the right choice. The packages ensure a reduction in door noise and improve safety.

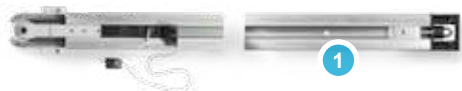


Even quieter with the **INFINITI Quiet**

The noise that surrounds us from everywhere is a source of discomfort and negatively affects our health and that of our loved ones. The additions from the INFINITI QUIET package reduce the noise of the door operation and ensure that it does not disturb the rest of the household.



brama ze sprężynami skrętnymi przód



strap rail



silent rollers

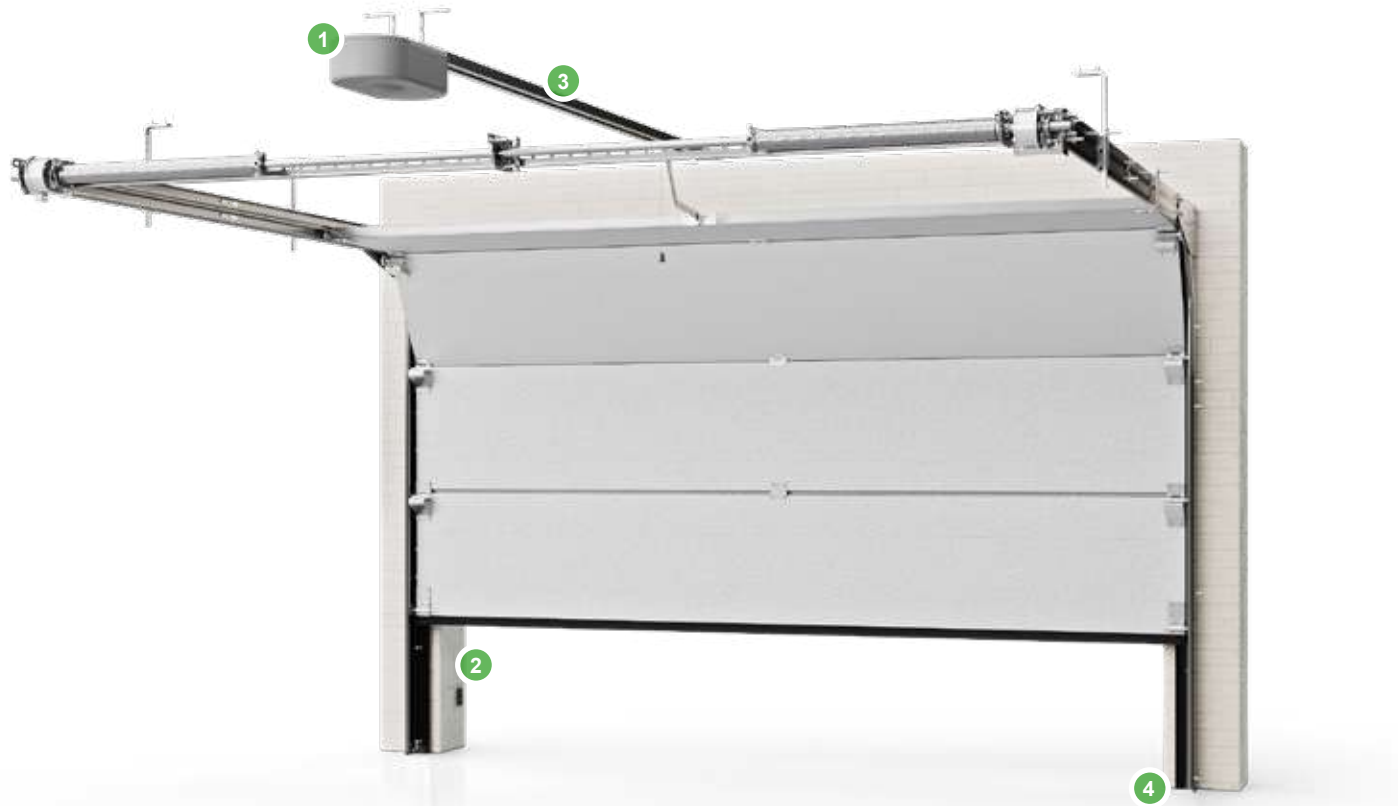


fittings painted RAL 9016



Extended protection with **INFINITI Safe**

INFINITI doors with standard equipment are safer than other ones. The additional SAFE package increases the convenience of using them, ensures the functionality of the garage door during power outages and provides additional anti-burglary protection. The presence of a photocell allows the garage door to react faster to emerging obstacles.



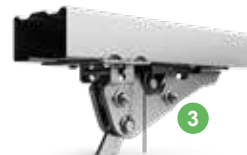
1

emergency opening battery



2

photocell



3

mechanical trolley lock

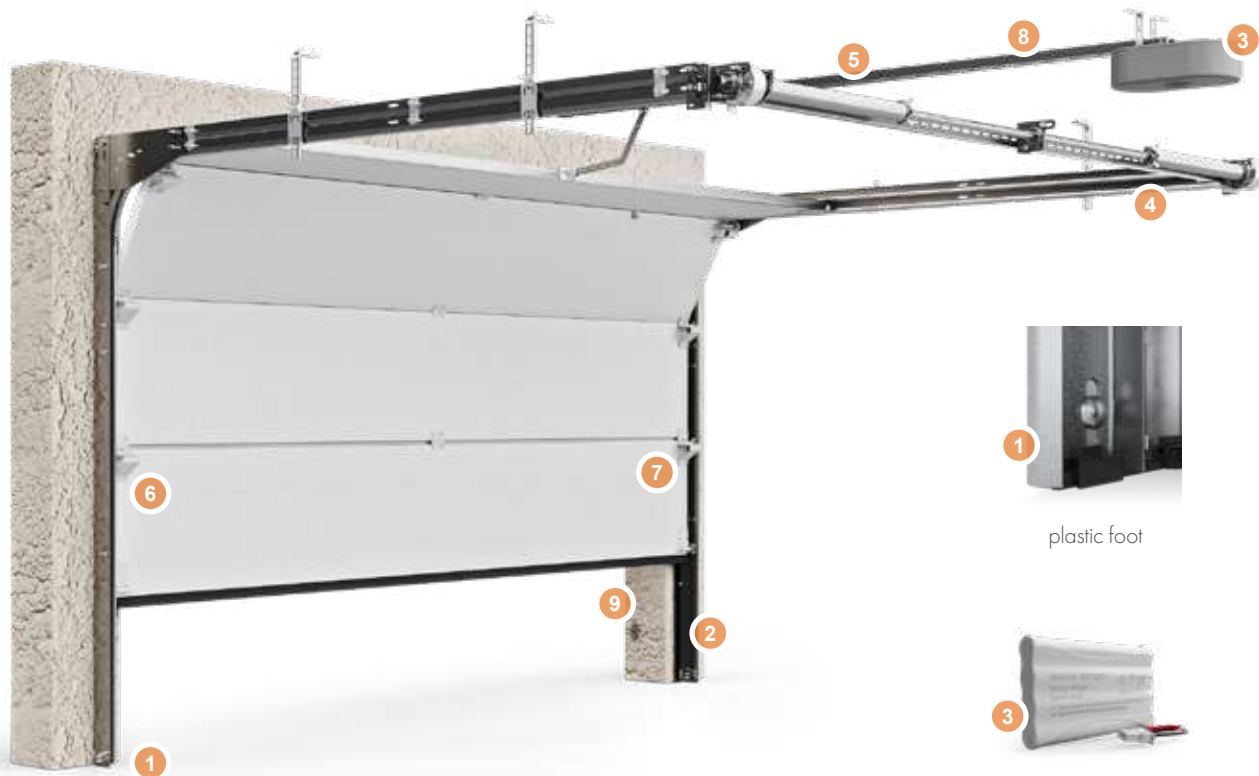


4

thermal gasket

The complete garage doors equipment is **INFINITI Premium**

The rich set of PREMIUM accessories combines the benefits of the QUIET and SAFE packages, supplementing them with additional elements that improve the appearance of the door. Choosing the PREMIUM package means getting the best version of the INFINITI Garage doorway available.



1

plastic foot



2

thermal gasket



3

emergency opening battery



4

levelling profile



5

strap rail



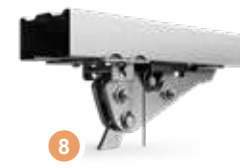
6

silent rollers



7

painted fittings RAL 9016



8

mechanical trolley lock



9

fotocell



Sectional garage door **technical information**

Numbers of panels	Width/Height	2000	2250	2500	2750	3000	3250	3500	3750	4000	4250	4500	4750	5000	5250	5500	5750	6000	6250	6500
4	2000	1,20	1,20	1,10	1,10	1,10	1,10	1,10	1,10	1,10	1,10	1,10	1,10	1,10	1,10	1,10	1,10	1,10	1,10	1,10
	2125	1,10	1,10	1,10	1,10	1,10	1,10	1,10	1,10	1,10	1,10	1,00	1,00	1,00	1,00	1,00	1,00	1,00	1,00	1,00
	2250	1,10	1,10	1,10	1,10	1,10	1,00	1,00	1,00	1,00	1,00	1,00	1,00	1,00	1,00	1,00	1,00	1,00	0,99	0,99
	2375	1,10	1,10	1,10	1,00	1,00	1,00	1,00	1,00	1,00	0,99	0,99	0,98	0,98	0,98	0,97	0,97	0,97	0,96	0,96
5	2500	1,20	1,10	1,10	1,10	1,10	1,00	1,00	1,00	1,00	1,00	1,00	0,99	0,98	0,98	0,97	0,97	0,97	0,96	0,96
	2625	1,10	1,10	1,10	1,10	1,00	1,00	1,00	1,00	0,99	0,98	0,97	0,96	0,96	0,95	0,95	0,94	0,94	0,94	0,93
	2750	1,10	1,10	1,10	1,00	1,00	1,00	0,98	0,97	0,96	0,96	0,95	0,94	0,94	0,93	0,92	0,92	0,92	0,91	0,91
	2875	1,10	1,10	1,00	1,00	0,99	0,98	0,96	0,95	0,94	0,93	0,93	0,92	0,91	0,91	0,90	0,90	0,89	0,89	0,89
6	3000	1,10	1,10	1,10	1,00	1,00	1,00	0,98	0,97	0,96	0,95	0,94	0,93	0,92	0,91	0,91	0,90	0,90	0,89	0,89
	3125	1,10	1,10	1,00	1,00	1,00	0,98	0,96	0,95	0,94	0,93	0,92	0,91	0,90	0,89	0,89	0,88	0,88	0,87	0,87
	3250	1,10	1,10	1,00	1,00	0,98	0,96	0,95	0,93	0,92	0,91	0,90	0,89	0,88	0,88	0,87	0,87	0,86	0,86	0,85
	3375	1,10	1,00	1,00	0,99	0,96	0,95	0,93	0,92	0,90	0,89	0,88	0,88	0,87	0,86	0,86	0,85	0,84	0,84	0,83
7	3500	1,10	1,10	1,00	1,00	0,99	0,97	0,95	0,93	0,92	0,90	0,89	0,88	0,88	0,87	0,86	0,85	0,85	0,84	0,84

The table shows the heat transfer coefficient U (W/m²K) for INFINITY doors with a 40 mm thick panel, using a thermal gasket.

Matching the garage door to the fitting hole

This is an optimal situation when the garage door will be installed when the garage is finished. However, we understand this is not always possible, so we would like to draw your attention to several aspects that are of great importance during assembly. It is important to:

- walls, ceiling, lintel and jambs were finished, i.e. plastered and painted; these surfaces should be vertical or horizontal,
- the floor was even and at the correct level.

The garage door is designed based on the dimensions of the opening (W - width, H - height and C - lintel). Subsequent finishing works (after installing the door) may adversely affect the functioning of individual elements of the door.

In addition, when measuring, pay attention to the following:

- whether the recess is or will be insulated,
- what is the depth of the joints in the tiles on the floor - they should be as small as possible,
- whether the driveway at the garage door has an appropriate slope - towards the outside so that water does not penetrate the garage,
- that the plane of the ceiling and jambs is included in the measurement; possible windows, internal doors, various types of installations (sanitary, ventilation, gas, electric), additional lintel must not collide with such elements of the door as: horizontal guides, rail and motor.

Order form

For the correct description of the sectional door, we recommend filling in the order form available.



A photograph of a dark grey hinged garage door set in a brick wall. The door is partially open, revealing a light-colored interior. To the left of the door is a large, dense green bush. The brick wall is made of light-colored bricks with dark mortar. The ground in front of the door is paved with light-colored stones.

HINGED GARAGE DOORS

The traditional way to secure a garage is with hinged garage doors. Nowadays they are mainly used in places where the use of sectional garage doors is impossible. This economically efficient and versatile product makes it possible to achieve satisfactory thermal performance, if required. This is made possible, among other things, by the thermal breaks found in selected systems. All hinged doors are in the familiar sectional door design and their panels are filled with insulating polyurethane foam.



PRESTO STEEL HINGED GARAGE DOORS

The classic design and elegance makes Presto swinging steel an irresistible proposition for detached garages, warehouses and various outbuildings where maintaining a high interior temperature is not a priority. Although equipped with polyurethane foam-filled sectional door panels 40 mm thick, their main advantages are timeless elegance and high durability. The use of reliable steel profiles means many years of reliable operation and perfect appearance from Presto doors. Their negligible requirements in terms of the structure of the building in which they appear make them the best option for customers looking to replace garage doors in older structures. When you also consider their ease of use and the wealth of equipment included as standard, Presto hinged garage doors become an extremely attractive proposition.



profiles painted
in RAL colours



1.5 mm
steel profiles



40 mm panel
with thermal insulation

UNICO STEEL HINGED GARAGE DOORS

When building conditions do not allow the use of sectional garage doors and where customers expect traditional elegance, Unico swinging steel doors presents an interesting alternative. The classic appearance, minimal requirements in terms of technical garage conditions and extensive finishing options make Unico doors a universal solution that can be chosen for almost any application. All you need is a small amount of free space in front of the garage for the movement of their wings. Unico doors are primarily intended for use in garages connected to houses. This is due to the fact that they have thermal breaks in the profiles and are filled with the warm panels used in sectional doors. Their installation is undemanding and, together with the standard equipment package available as standard, they are a convenient option for any investor.



profiles painted
in RAL colours



1.5-2.0 mm
steel profiles



40 mm panel
with thermal insulation



ROLL-UP GARAGE DOORS AND GATES

In order to meet our customers' requirements, we supplement our offer of garage doors with gates and bars roller garage doors and grilles. These are durable and functional solutions with relatively low construction requirements. We can supplement the roller garage door curtains with glazing profiles to ensure constant light incidence and ventilation profiles to meet the requirements of the garage door manufacturer.





Roll-up gates

We offer two roller door systems: BGR SK and Intense.

The BGR SK door is a classic system with a SK45 box, driven by a tubular motor, with a maximum surface area of 15 m². It is mainly used in garages and outbuildings in residential buildings.

Intense, on the other hand, is a system with or without an SK45 box - mounted on consoles with a side-mounted motor. It is predominantly used in storage buildings, workshops and production halls to secure large openings of up to 30 m² in commercial buildings.



BGR SK

Roll-up gates

Designed primarily for use in private buildings, the BGR SK door features a very high level of safety, already provided as standard by an inertia brake which prevents the door from falling rapidly in the event of a drive failure. Safety can be further increased with an optical slit to prevent crushing of obstacles in the doorway and photocells - stopping the door movement if a person or other obstacle appears in the doorway.

The door can be fitted with Inel, Yooda and Somfy, including operators that work with the Optimo RTS, Rollixio RTS/io and Inel CENT_D smart home system control units. Radio remote controls are the primary means of controlling the gate. The use of control units also allows the use of key switches, pulse keys and code keypads.

drive type	electric		
boxes	SK45: 250 mm, 300 mm, 350 mm		
guides	PP75 (only with armour PA55), PP89, PP110, PP110 Z		
max. door dimensions	with armour PA55	Width (with guides):	3000 mm
		Height (with box)	4600 mm
		Max. surface:	9,5 m ²
	with armour PA77	Width (with guides)	6000 mm
		Height (with box)	4900 mm
		Max. surface: 15 m ²	15 m ²



Available colour options:

- Aluprof
- full palette RAL



Intense

Roll-up gates

The Intense system is capable of securing large area openings and can be installed on GFA side drive consoles, making it the perfect solution for commercial properties.

Intense door capabilities include advanced security systems including photocells and an optical strip to detect obstacles in the doorway. An inertial brake is included as standard to prevent the door from falling uncontrollably in the event of a fault.

Intense gates use Kraftmaster tubular operators working with Rollixio Optimo RTS, Rollixio RTS/io and Proline control units. Their use allows the use, in addition to the standard radio remote controls, of other typical accessories for gates: key and key switches and code keypads.



Available colour options:

- Polfendo
- full palette RAL

drive type	electricity	
boxes	SK45: 300 mm, 360 mm, 400 mm	
guides	PP90 / 91	
console	580 mm	
max. door dimension	Width (with guides)	6400 mm
	Height (with box)	5100 mm
	Height (with consoles)	6000 mm
	Max. surface	30 m ²

The armoring of the roller door may be optionally equipped with glazing and ventilation profiles. with glazing and ventilation profiles, the former ensuring constant light access even when the curtain is fully closed, while the latter will prove useful in places where adequate air circulation is required, such as most underground garages.





Roll-up bars

The use of rolling bars makes it possible to create a secure enclosure providing access to light and ventilation. They are often used in commercial spaces, allowing you to see what is behind them. Our rolling grille systems can use SK45 boxes or be mounted on side-mounted consoles.



BKR SK

Roll-up bar

The basic rolling bar grille system, the BKR SK, uses an SK45 box with tubular drives. The grille can be paired with a number of available control panels, allowing it to be operated with a remote control-breaker, while compatibility with the TaHoma control panel extends the range of options to include operation from an app installed on a smartphone.

Different levels of grating translucency can be achieved with the BKR SK system depending on the type of armour used: PEK 77, PEK 80 or PEKO 80.

type of drive	electric		
boxes	SK45: 250 mm, 300 mm, 350 mm		
guides	PP89, PP110		
max. door dimension	with armour PEK 77	Width (with guides)	5000 mm
		Height (with box)	4490 mm
		Max. surface	9 m ²
	with armour PEK 80 / PEKO 80	Width (with guides)	5000 mm
		Height (with box)	4850 mm
		Max. surface 15 m ²	15 m ²



Available colour options:

- Aluprof
- full palette RAL



Minilook 56

Roll-up bars

The Minilook 56 rolling bar system uses 56 mm high profiles and an SK45 box fitted with a Kraftmaster tubular drive. The drive is compatible with a number of control panels available on the market, giving it the versatility and high control convenience offered by control panel-compatible accessories.

The Minilook 56 is able to offer a very high level of security thanks to optional photocells and an optical strip.



Available colour options:

- Polfendo
- full palette RAL

type of drive	electric	
boxes	SK45 250 mm	
guides	PP66	
max. bars dimention	Width (with guides)	4000 mm
	Height (with boxes)	4000 mm
	Max. surface	15 m ²



Easylook 84

Roll-up bars

Easylook 84 is a typical solution found in shopping malls, where areas as large as 32 m² are secured.

The variant with an SK45 box can use a Kraftmaster drive that supports the integration of grilles with many accessories, such as code keypads. Mounting on consoles, without a box, is a more common version, especially with the use of the side drive GRP - it is then possible to encapsulate the entire control mechanism, so that only the cover itself is visible to outsiders.



Available colour options

- Polfendo
- full palette RAL

type of drive	electric	
boxes	SK45 300 mm, 360 mm, 400 mm	
guides	PP90/91	
console	580 mm	
max. door dimention	Width (with guides)	6000 mm
	Height (with box)	5100 mm
	Height (with console)	6000 mm
	Max. surface:	32 m ²

Accessories for roll-up gates and bars



**Code keyboard
Somfy io/RTS**

Compatible with central units Rollixo io, Rollixo RTS, Rollixo Optimo RTS.



**Remote Somfy
Keygo io/RTS**

Compatible with central units Rollixo io, Rollixo RTS, Rollixo Optimo RTS.



Warning light

Compatible with central units Proline, TS 970 / 971.



Control pendant

Compatible with central units Proline, TS 970 / 971.



EasyON

Available in systems Intense, Easylook 84.



TS970 TS971

For the side engine GFA. Available in systems Intense, Easylook 84.



Proline

Available in systems Intense, Minilook 56, Easylook 84.



Shaft casing

Available in systems Intense, Easylook 84.



Ventilation profile

Available in systems BGR SK, Intense.



Profile with glazing

Available in systems BGR SK, Intense.



ClickON

Available in systems Intense, Easylook 84.



windON

Available in systems Intense.

Accessories for roll-up gates and bars



**Key protection
crank hole**

Available in all systems.



**Pulse switch
flush or surface-mounted**

Compatible with all central units.



**Key switch
flush-mounted**

Available in all systems.



**Key switch
flush-mounted**

Available in all systems.



NHK trough wall kit

Available in all systems.



Somfy Rollixo io/RTS

Available in all systems.



Somfy Rollixo Optimo RTS

Available in all systems.



Fotocell

Compatible with all central units



**Emergency opening
chain**

Designed for engine GFA.



**Code keyboard
Proline**

Compatible with central units Proline.



Remote Proline

Compatible with
central units Proline.



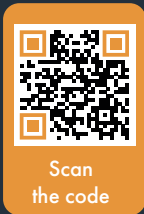
Remote Inel

Compatible with central
units INEL CENT D.



Inel CENT D

Available in systems
BGR SK, BKR SK.



Scan
the code

eko4u.com

eko 4u

eko4u is a tool for distributors in the joinery industry. eko4u represents a new dimension in managing your business. With it, you can:



- create offers and orders independently
- control deliveries
- browse and download invoices
- submit complaints

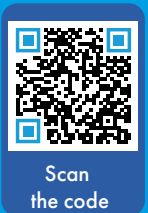


Industry-specific compendium of knowledge about joinery benefit Eko-Okna is completely free.

It contains everything that is needed in the daily work of a distributor:



- product tutorial
- technical catalogue
- garage doors calculator
- assembly instructions
- materials from suppliers



benefit.ekookna.com